

2 MPX Dual IP Camera (Thermal/Visual)

NVIP-2DQ-8301/T



FUNCTIONS



H-265

2 MPX

D/N Elec.

0.005 Lux

f=2.3

60 mK

f=2

0.05 MPX

IP67

KEY FEATURES

- Resolution: 2 MPX
- Lens: fixed focal, f=2.3 mm/F2.2
- lens: thermal fixed focal length, f=2.0 mm/F1.1
- thermo dual vision - function allowing to overlay a thermal image on the video image
- D/N function - electronic
- microSD card support
- WDR with double scan sensor
- Temperature Measurement - Thermal Module.
- Temperature Alarm - Thermal Module
- Ability to observe in total darkness - Thermal Module
- Min. Illumination from 0.009 lx

DIMENSIONS

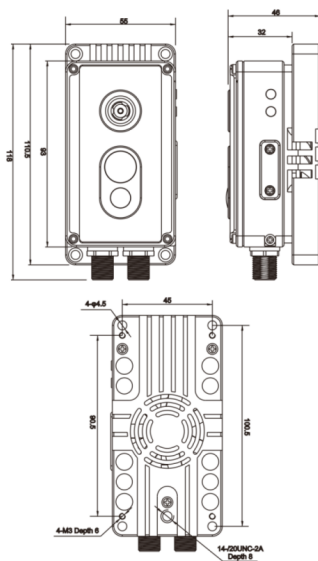


Image - Thermal Module	
Image Sensor	Uncooled FPA Microbolometer
Number of Effective Pixels	256 (H) x 192 (V)
Pixel Size	12 µm
Spectral Range	8 - 14 µm
Thermal Sensitivity	60 mK
Thermovision Modes	White Hot, Black Hot, Rainbow, HSV, Autumn, Bone, Cool, Copper, Fire Hot, Pink, Spring, Summer, Winter, Jet, Flame, Rosebengal, Iron Oxide Red, Lava Color
Detection Temperature	-20°C – 150°C
Digital Noise Reduction (DNR)	2D, 3D
Lens - Thermal Module	
Lens Type	fixed focal length, f=2 mm/F1.1
Image	
Image Sensor	2 MPX CMOS sensor 1/2.8" SONY STARVIS
Min. Illumination	0.09 lx/F2.2 - color mode, 0.009 lx/F2.2 - B/W mode
S/N Ratio	> 55 dB (AGC off)
Electronic Shutter	auto/manual: 1/5 s – 1/20000 s
Digital Slow Shutter (DSS)	up to 1/5 s
Wide Dynamic Range (WDR)	yes (double scan sensor), 120dB
Digital Image Stabilization (DIS)	yes
Digital Noise Reduction (DNR)	2D, 3D
Defog Function (F-DNR)	yes
Highlight Compensation (HLC)	yes
Back Light Compensation (BLC)	yes
Lens	
Lens Type	fixed focal, f=2.3 mm/F2.2
Day/Night	
Switching Type	electronic D/N function
Switching Mode	manual, time
Network	
Stream Resolution	1600 x 1200 (UXGA), 1280 x 720 (HD), 720 x 576 (D1), 640 x 480 (VGA), 640 x 360, 352 x 288 (CIF), 320 x 240 (QVGA), 176 x 144 (QCIF) for thermal module: 352 x 288 (CIF), 720 x 576 (D1)
Frame Rate	30 fps for each resolution
Multistreaming Mode	number of streams: 5
Video/Audio Compression	H.264, H.265, MJPEG/-
Number of Simultaneous Connections	max. 5 connections, (max. 8 streams in total)
Bandwidth	65 Mb/s in total
Network Protocols Support	HTTP, TCP/IP, IPv4/v6, UDP, FTP, DHCP, DDNS, NTP, RTSP, RTP, SNMP, QoS, IEEE 802.1X, PPPoE, SMTP, RTPC, HTML5
Camera Configuration	from Edge, Firefox, Chrome, Opera browser languages: Polish, English, and others
Other functions	
Temperature Measurement	yes
Temperature Alarm	yes - for thermal module
Temperature Measurement Zones	20 - for thermal module polygon, line, point
Temperature Measurement Accuracy	+2°C / +-2%
Security	IEEE 802.1X support, MAC/IP address filtering
Privacy Zones	8 video mask type: single color
Motion Detection	yes
Image Processing	vertical flip, horizontal flip
Prealarm/Postalarm	up to 6 s/up to 86400 s
System Reaction to Alarm Events	e-mail with attachment, saving file on FTP server, saving file on SD card, alarm output activation, active deterrent functions
Deterrent	white LEDs, flashing light,
Restoring default settings	via web browser, using reset button
White light illuminator	
LED Number	1, neutral white color
Interfaces	
Alarm Input/Output	1 (NO/NC)/1 relay type (max. 12VDC/300mA)
Control Input/Output	RS-232
RS-485	yes
Network Interface	1 x Ethernet - RJ-45 interface, 10/100 Mbit/s
Memory Card Slot	microSD - capacity up to 256GB
Installation parameters	
Dimensions (mm)	cable length - 0.5 m
Weight	0.6 kg
Degree of Protection	IP 67 (details in the user's manual)
Power Supply	10 – 30 VDC, PoE (IEEE 802.3af, Class 3) (100 – 230 VAC/12 VDC PSU in-set included)
Power Consumption	5.5 W
Operating Temperature	-30°C – 60°C
Humidity	max. 90% relative (non-condensing)

Built-in Heater/Fan

no/yes