

Dual PTZ IP Camera (Thermal/Visual)

NVIP-2DPT-8741/30/T



8000

VSS
PROJECT

FUNCTIONS



H.265

4 MPX

0.001 LUX



COMPATIBILITY

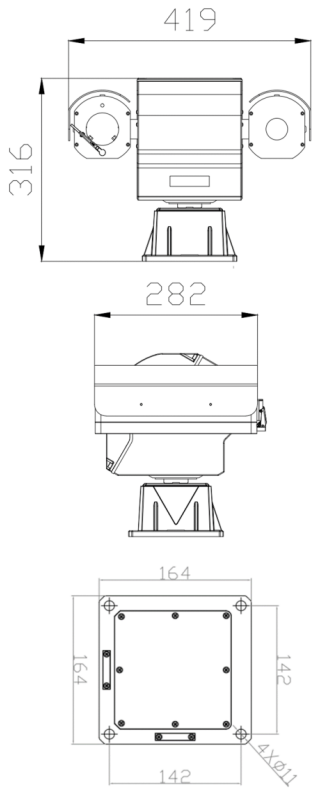


KEY FEATURES

- Resolution: 4 MPX
- Lens: motorized varifocal, AI and AF function, optical zoom 30x, f=5.3 ~ 159 mm/F1.6 ~ 4.3
- lens: thermal fixed focal length, f=50 mm/F1.0
- D/N function - IR cut filter
- Video content analysis based on Deep Learning
- WDR with double scan sensor
- Temperature Measurement - Thermal Module.
- Temperature Alarm - Thermal Module
- Ability to observe in total darkness - Thermal Module
- two-way audio
- Min. Illumination from 0.001 lx

DIMENSIONS

| | |
|------------------------------------|---|
| Image - Thermal Module | |
| Image Sensor | Uncooled FPA Microbolometer |
| Number of Effective Pixels | 400 (H) x 300 (V) |
| Pixel Size | 17 µm |
| Spectral Range | 8 - 14 µm |
| Thermal Sensitivity | 40 mK |
| Thermovision Modes | White Hot, Black Hot, Rainbow, Ironbow, HSV, Autumn, Bone, Cool, Copper, Fire Hot, Pink, Spring, Summer, Winter, Jet, Flame, Rosebengal |
| Detection Temperature | -20°C ~ 150°C |
| Digital Noise Reduction (DNR) | 2D, 3D |
| Lens - Thermal Module | |
| Lens Type | fixed focal length, f=50 mm/F1.0, with manual focus |
| Object Detection Range | 1471m - human , 4510m - vehicle , 1471m - fire |
| Object Recognition Range | 368m - human , 1127m - vehicle |
| Image | |
| Image Sensor | 4 MPX CMOS sensor 1/2.8" SONY |
| Number of Effective Pixels | 2592 (H) x 1520 (V) |
| Min. Illumination | 0.01 lx/F1.2 - color mode, 0.001 lx/F1.2 - B/W mode |
| Electronic Shutter | auto: 1/5 s ~ 1/20000 s |
| Digital Slow Shutter (DSS) | up to 1/5 s |
| Wide Dynamic Range (WDR) | yes (double scan sensor) |
| Digital Image Stabilization (DIS) | yes |
| Digital Noise Reduction (DNR) | 3D |
| Defog Function (F-DNR) | yes |
| Highlight Compensation (HLC) | yes |
| Back Light Compensation (BLC) | yes |
| Lens | |
| Optical Zoom | 30x |
| Lens Type | motorized, auto-iris function, f=5.3 ~ 159 mm/F1.6 ~ F4.3 |
| Auto-focus | zoom trigger, manual trigger |
| Day/Night | |
| Switching Type | mechanical IR cut filter |
| Switching Mode | auto, time |
| Switching Level Adjustment | yes |
| Switching Delay | 0 ~ 180 s |
| Network | |
| Stream Resolution | 2560 x 1440 (QHD), 2592 x 1520, 2304 x 1296, 1920 x 1080 (Full HD), 1280 x 720 (HD), 720 x 576 (D1), 640 x 480 (VGA), 352 x 288 (CIF), 320 x 240 (QVGA) for thermal module: 704 x 576, 352 x 240 |
| Frame Rate | 30 fps for each resolution |
| Multistreaming Mode | 3 streams (main stream, sub stream, third stream) |
| Video/Audio Compression | H.264, H.265, MJPEG/G.711, RAW_PCM |
| Number of Simultaneous Connections | max. 10 |
| Network Protocols Support | HTTP, TCP/IP, IPv4/IPv6, UDP, DHCP, DNS, RTSP, RTP, IEEE 802.1X, PPPoE, SMTP, RTCP, HTML5 |
| Camera Configuration | from Edge, Firefox, Chrome browser languages: Polish, English, and others |
| Compatible Software | NOVUS MANAGEMENT SYSTEM VSS |
| PTZ | |
| Preset Commands | 400 |
| Tours | 12 (up to 32 presets per tour) |
| Auto-Scans | 8 |
| Patterns | 6 |
| Tilt/Pan Range | -90° ~ 90°/360° (continuous) |
| Pan/Tilt Speed | up to 60°/s (proportional to zoom) |
| Preset Speed | up to 60°/s |
| Other functions | |
| Temperature Measurement | yes - for thermal module |
| Temperature Alarm | yes - for thermal module |
| Temperature Measurement Zones | 20 - for thermal module polygon, line, point |
| Temperature Measurement Accuracy | +2°C / +2% |
| Privacy Zones | 4 video mask type: single color |
| Motion Detection | yes |
| Region of interest (ROI) | 8 |
| Audio Detection | yes |
| Video Content Analysis (VCA) | line cross, zone entrance, zone exit, double line cross, loiter, converse, objects distinguishing, people counting for thermal module: fire detection, temperature measurement, fire source detection, smoke detection |
| Image Processing | Defective Pixel Correction (DPC), mirror effect, vertical flip, horizontal flip |
| System Reaction to Alarm Events | e-mail with attachment, saving file on FTP server, alarm output activation, playback of the audio message |
| Restoring default settings | via web browser |
| Interfaces | |
| Video Output | BNC, 1.0 Vp-p, 75 Ohm |
| Audio Input/Output | 2 x Jack (3.5 mm)/2 x Jack (3.5 mm) |



| | |
|--------------------------------|---|
| Alarm Input/Output | 9 (NO/NC)/4 |
| Network Interface | 1 x Ethernet - RJ-45 interface, 10/100 Mbit/s |
| Installation parameters | |
| Dimensions (mm) | with bracket: 419 (W) x 316 (H) x 282 (L) 4 m long connection cables |
| Weight | 16.5 kg |
| Degree of Protection | IP 66 (details in the user's manual) |
| Enclosure | aluminium, white, |
| Power Supply | 36 VDC (power supply included) |
| Power Consumption | 80 W |
| Operating Temperature | -40°C ~ 60°C |
| Humidity | max. 90%, relative (non-condensing) |
| Built-in Heater/Fan | yes/yes |