

# Quick start guide



eng

## NVIP-5H-6201

# **NOVUS<sup>®</sup>**

## IMPORTANT SAFEGUARDS AND WARNINGS

---

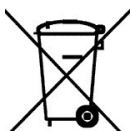
---

THE PRODUCT MEETS THE REQUIREMENTS CONTAINED IN THE FOLLOWING DIRECTIVES:



**DIRECTIVE 2014/30/EU OF THE EUROPEAN PARLIAMENT AND OF THE COUNCIL of 26 February 2014** on the harmonisation of the laws of the Member States relating to electromagnetic compatibility (OJ L 96, 29.3.2014, p. 79–106, with changes)

eng



**DIRECTIVE 2012/19/EU OF THE EUROPEAN PARLIAMENT AND OF THE COUNCIL of 4 July 2012** on waste electrical and electronic equipment (WEEE) (OJ L 197, 24.7.2012, p. 38–71, with changes)



**DIRECTIVE 2011/65/EU OF THE EUROPEAN PARLIAMENT AND OF THE COUNCIL of 8 June 2011** on the restriction of the use of certain hazardous substances in electrical and electronic equipment (OJ L 174, 1.7.2011, p. 88–110, with changes)

### Information

The device, as a part of professional CCTV system used for surveillance and control, is not designed for self installation in households by individuals without technical knowledge.

### Excluding of responsibility in case of damaging data on a disk or other devices:

The manufacturer does not bear any responsibility in case of damaging or losing data on a disk or other devices during device operation.

### WARNING!

PRIOR TO UNDERTAKING ANY ACTION THAT IS NOT DESCRIBED FOR THE GIVEN PRODUCT IN USER'S MANUAL AND OTHER DOCUMENTS DELIVERED WITH THE PRODUCT, OR IF IT DOES NOT ARISE FROM THE USUAL APPLICATION OF THE PRODUCT, MANUFACTURER MUST BE CONTACTED UNDER THE RIGOR OF EXCLUDING THE MANUFACTURER'S RESPONSIBILITY FOR THE RESULTS OF SUCH AN ACTION.

# EAC

## IMPORTANT SAFEGUARDS AND WARNINGS

---

---

### **WARNING!**

THE KNOWLEDGE OF THIS MANUAL IS AN INDESPENSIBLE CONDITION OF A PROPER DEVICE OPERATION. YOU ARE KINDLY REQUESTED TO FAMILIRIZE YOURSELF WITH THE MANUAL PRIOR TO INSTALLATION AND FURTHER DEVICE OPERATION.

### **WARNING!**

USER IS NOT ALLOWED TO DISASSEMBLE THE CASING AS THERE ARE NO USER -SERVICEABLE PARTS INSIDE THIS UNIT. ONLY AUTHORIZED SERVICE PERSONNEL MAY OPEN THE UNIT

INSTALLATION AND SERVICING SHOULD ONLY BE DONE BY QUALIFIED SERVICE PERSONNEL AND SHOULD CONFORM TO ALL LOCAL REGULATIONS

1. Prior to undertaking any action please consult the following manual and read all the safety and operating instructions before starting the device.
2. Please keep this manual for the lifespan of the device in case referring to the contents of this manual is necessary;
3. All the safety precautions referred to in this manual should be strictly followed, as they have a direct influence on user's safety and durability and reliability of the device;
4. All actions conducted by the servicemen and users must be accomplished in accordance with the user's manual;
5. The device should be disconnected from power sources during maintenance procedures;
6. Usage of additional devices and components neither provided nor recommended by the producer is forbidden;
7. You are not allowed to use the camera in high humidity environment (i.e. close to swimming pools, bath tubs, damp basements);
8. Mounting the device in places where proper ventilation cannot be provided (e. g. closed lockers etc.) is not recommended since it may lead to heat build-up and damaging the device itself as a consequence;
9. Mounting the camera on unstable surface or using not recommended mounts is forbidden. Improperly mounted camera may cause a fatal accident or may be seriously damaged itself. The camera must be mounted by qualified personnel with proper authorization, in accordance with this user's manual;
10. Device should be supplied only from a power sources whose parameters are in accordance with those specified by the producer in the camera technical datasheet. Therefore, it is forbidden to supply the camera from a power sources with unknown parameters, unstable or not meeting producer's requirements;

*Due to the product being constantly enhanced and optimized, certain parameters and functions described in the manual in question may change without further notice.*

*We strongly suggest visiting the [www.novuscctv.com](http://www.novuscctv.com) website in order to access the newest manual.*

## TABLE OF CONTENTS

---

---

<b>TABLE OF CONTENTS</b> .....	4
<b>1. FOREWORD INFORMATION</b> .....	5
1.1. General characteristics.....	5
1.2. Technical specification .....	6
1.3. Camera dimensions .....	7
1.4. Package contents .....	7
<b>2. START-UP AND INITIAL IP CAMERA CONFIGURATION</b> .....	8
2.1. Description of connectors and control tools.....	8
2.2. Ethernet cable connecting .....	9
2.3. Camera mounting .....	10
2.4. Starting the IP camera .....	11
2.5. Initial configuration via the web browser.....	12
2.6. Security recommendations for network architecture and configuration .....	13
<b>3. NETWORK CONNECTION USING WEB BROWSER</b> .....	14
3.1. Recommended PC specification for web browser .....	14
3.2. Connection with IP camera via web browser.....	14
<b>4. WWW INTERFACE - WORKING WITH IP CAMERA</b> .....	16
4.1. Displaying live video. ....	16
<b>5. ELECTRIC CONNECTORS AND ACCESORIES</b> .....	17
5.1. MicroSD card installation .....	17
<b>6. FACTORY SETTINGS RESTORING</b> .....	18
6.1. Software factory settings restoring via web browser .....	18
6.2. Software factory settings restoring via NMS IPTool.....	18
6.3. Hardware factory settings restoring .....	19

## FOREWORD INFORMATION

---

---

### 1. FOREWORD INFORMATION

#### 1.1. General Characteristics

- Sensor resolution: 5.0 megapixels
- Mechanical IR cut filter (IR operation capability)
- Min. Illumination from 0.02 lx
- Wide Dynamic Range (WDR) for enhanced image quality in diverse light conditions
- Built-in webserver: camera configuration through the website
- Video compression: H.264, H.265
- Max. video resolution up to 2592 x 1944
- Electronic Shutter from 1/2 s to 1/100000 s.
- Digital Noise Reduction (DNR)
- Highlight Compensation (HLC)
- Back Light Compensation (BLC)
- Reduction of image flicker (Antiflicker)
- The compression, resolution, speed and quality can be defined individually for each stream
- Supports up to 3 streams
- ONVIF Protocol Support
- RTSP protocol support for video transmission
- ROI zones
- Privacy Zones
- Micro SD Card Slot, capacity up to 128 GB
- Range of responses to alarm events: e-mail with attachment, save on FTP server
- Video Content Analysis (VCA):
  - tamper
  - abandoned object
  - object disappearance
  - line cross
  - zone entrance
  - scene change
  - video color cast
- Software: NMS (NOVUS MANAGEMENT SYSTEM) for video recording, live monitoring, playback and remote IP devices administration
- Power supply: 12 VDC / PoE

## FOREWORD INFORMATION

### 1.2. Technical specification

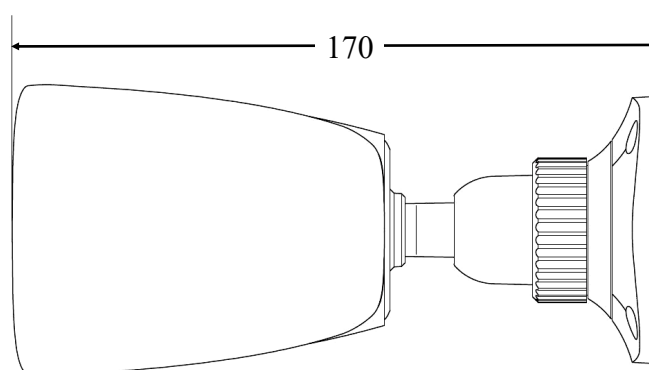
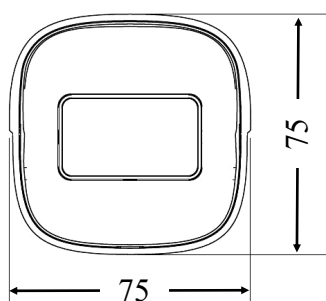
<b>Image</b>	
Image Sensor	5 MPX CMOS sensor 1/2.7" SmartSens
Number of Effective Pixels	2608 (H) x 1960 (V)
Min. Illumination	0.02 lx/F1.85 - color mode 0 lx (IR on) - B/W mode
Electronic Shutter	auto/manual: 1/2 s ~ 1/100000 s
Digital Slow Shutter (DSS)	up to 1/2 s
Wide Dynamic Range (WDR)	yes
Digital Noise Reduction (DNR)	2D, 3D
Defog Function (F-DNR)	yes
Highlight Compensation (HLC)	yes
Back Light Compensation (BLC)	yes
Reduction of image flicker (Antiflicker)	yes
<b>Lens</b>	
Lens Type	standard, f=2.8 mm/F1.85
<b>Day/Night</b>	
Switching Type	mechanical IR cut filter
Switching Mode	auto, manual, time
Switching Level Adjustment	yes
Switching Delay	2 ~ 120 s
Switching Schedule	yes
Visible Light Sensor	yes
<b>Network</b>	
Stream Resolution	2592 x 1944, 2560 x 1440 (QHD), 1920 x 1080 (Full HD), 1280 x 720 (HD), 640 x 480 (VGA), 480 x 240, 320 x 240 (QVGA)
Frame Rate	25 fps for 2592 x 1944 30 fps for 2560 x 1440 (QHD) and lower resolutions
Multistreaming Mode	3 streams
Video/Audio Compression	H.264, H.265/-
Number of Simultaneous Connections	max. 4
Bandwidth	12 Mb/s in total
Network Protocols Support	HTTP, TCP/IP, IPv4, IPv4/v6, UDP, HTTPS, Multicast, FTP, DHCP, DDNS, NTP, RTSP, UPnP, QoS/DSCP, IEEE 802.1X, PPPoE, SMTP, ICMP, Unicast, SSL/TLS
ONVIF Protocol Support	Profile S
Camera Configuration	from Internet Explorer browser languages: Polish, English, Russian, and others
Compatible Software	NMS, NVR-6000 Viewer
Mobile applications	SuperLive Plus (iPhone, Android)
<b>Other functions</b>	
Privacy Zones	4 video mask type: single color
Motion Detection	yes
Region of interest (ROI)	3
Video Content Analysis (VCA)	tamper, abandoned object, object disappearance, line cross, zone entrance, Scene Change, Video Color Cast
Image Processing	180° image rotation, sharpening, mirror effect, vertical flip, horizontal flip
Prealarm/Postalarm	-/up to 120 s
System Reaction to Alarm Events	e-mail, e-mail with attachment, saving file on FTP server
Restoring default settings	via web browser, using reset button, via NMS IPTool software

## FOREWORD INFORMATION

<b>IR LED</b>	
LED Number	1
Range	30 m
Angle	120°
<b>Interfaces</b>	
Network Interface	1 x Ethernet - RJ-45 interface, 10/100 Mbit/s
Memory Card Slot	microSD - capacity up to 128GB
<b>Installation parameters</b>	
Dimensions (mm)	with bracket: 75 (W) x 75 (H) x 170 (L)
Weight	0.4 kg
Degree of Protection	IP 67 (details in the user's manual)
Enclosure	aluminium, white, fully cable managed wall mount bracket in-set included , IK10 impact rating
Power Supply	PoE, 12 VDC
Surge protection	TVS 4000 V
Power Consumption	3 W 6 W (IR on)
Operating Temperature	-30°C ~ 60°C
Humidity	max. 95%, relative (non-condensing)

eng

### 1.3. Camera dimensions (mm)



### 1.4. Package contents

After opening the package make sure that the following elements are inside:

- IP camera
- Accessories bag
- Short version of user's manual

If any of this elements has been damaged during transport, pack all the elements back into the original box and contact your supplier for further assistance.

#### CAUTION!

**It is forbidden to use – as the camera power source – PoE equipment (adapters, etc.) not compatible with IEEE 802.3at/af standard (items called “passive PoE power supply”). Damages caused by the usage of improper power supply source are not covered by the warranty.**

## START-UP AND INITIAL IP CAMERA CONFIGURATION

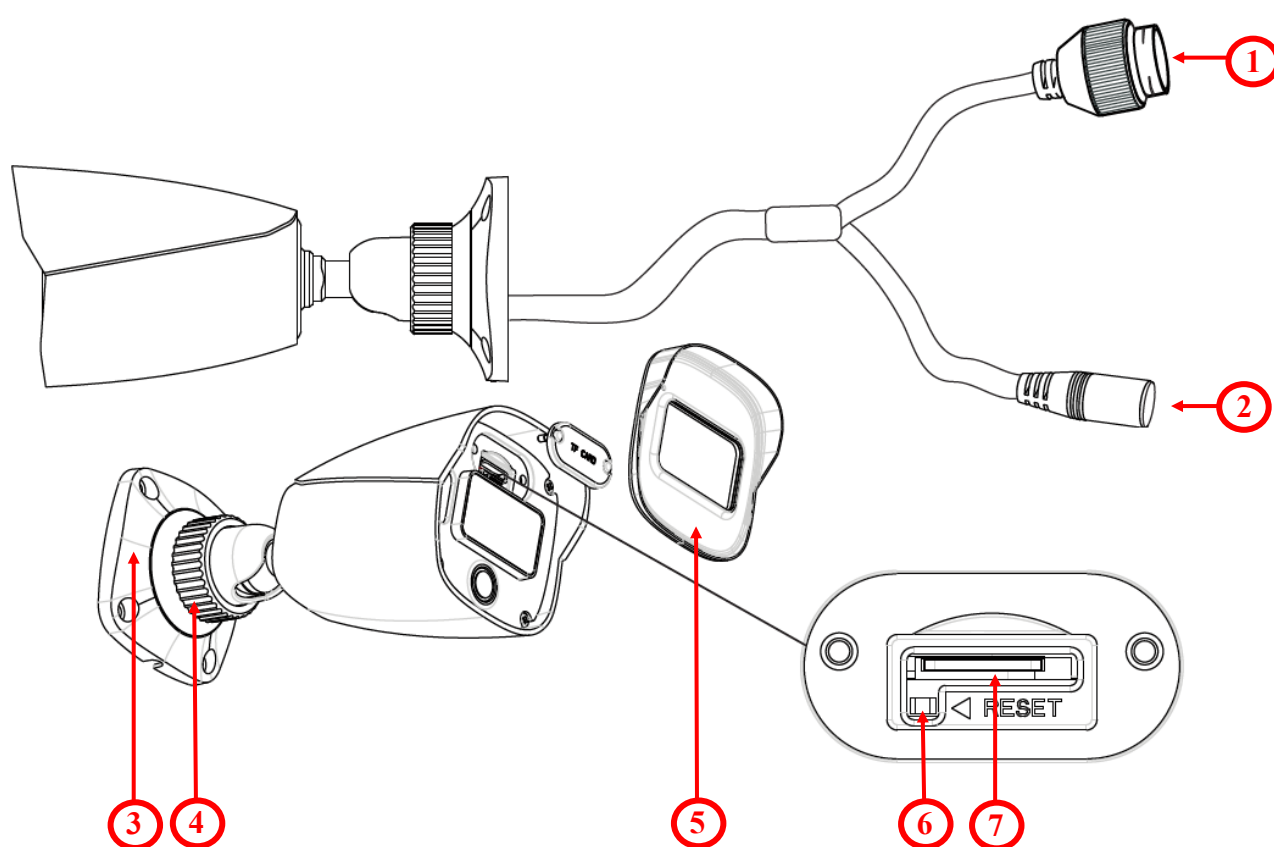
### 2. START-UP AND INITIAL IP CAMERA CONFIGURATION

#### CAUTION!

If the device was brought from a location with lower temperature, please wait until it reaches the temperature of location it is currently in. Turning the device on immediately after bringing it from a location with lower ambient temperature is forbidden, as the condensing water vapour may cause short-circuits and damage the device as a result.

Before starting the device familiarize yourself with the description and the role of particular inputs, outputs and adjusting elements that the device is equipped with.

#### 2.1 Description of connectors and control tools



1. 100 Mb/s Ethernet port (PoE RJ-45 connector)
2. Power supply 12VDC
3. Base of camera
4. Counter nut
5. Plastic cover
6. Reset button
7. MicroSD card slot

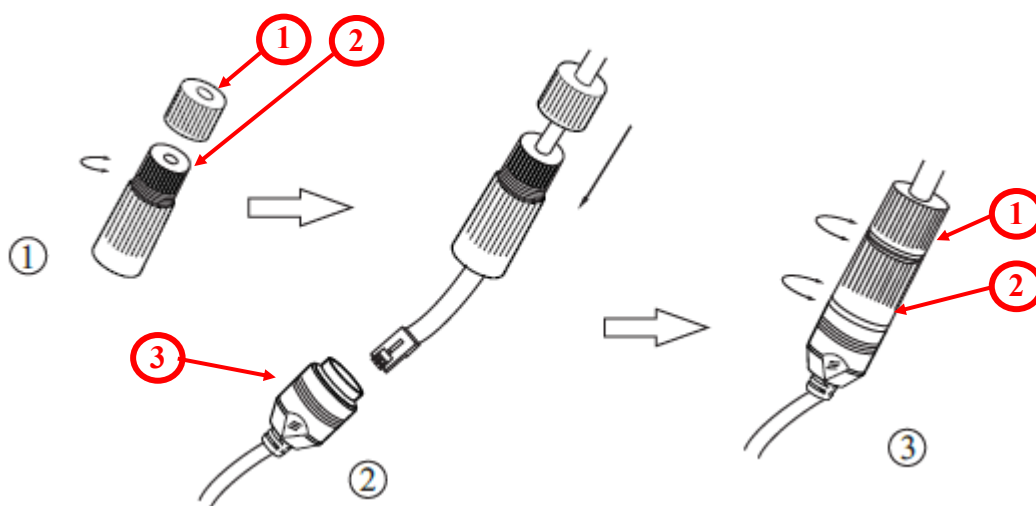


## START-UP AND INITIAL IP CAMERA CONFIGURATION

### 2.2. Ethernet cable connecting

To maintain tightness of ethernet cable connection, please follow instruction below:

1. Unscrew the nut (1) from the connector cover (2).
2. Route the network cable (without the RJ-45 plug) through the components (1) and (2), than crimp the RJ-45 connector.
3. Plug the RJ-45 connector into the hermetic socket (3), screw the connector cover (2), and than the nut (1).



eng

#### CAUTION!

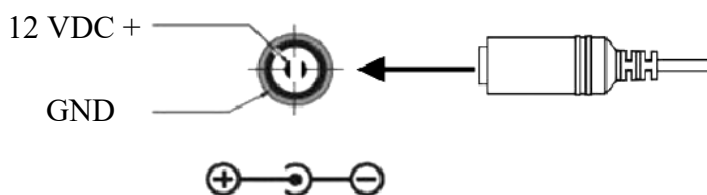
The declared degree of protection of the camera relates to its housing and does not take into account the possibility of moisture infiltration into the camera by connection cables. Connection cables protection through i.e. sealing up is the camera installer duty. The manufacturer is not liable for any camera damages caused as a result of failing in performing that activity by installer, which also means that camera damaged in that way is not subject to warranty repairs.

#### CAUTION!

Camera power supply connector is not hermetic. Installer should seal this connector by himself.

Camera can be supplied using external power supply unit corresponding with the camera parameters or by using RJ45 network socket and PoE (802.3at/af) power supply unit. If you're using external power supply please connect wires according to polarisation shown on picture:

Schema of 12VDC power supply connector



#### CAUTION!

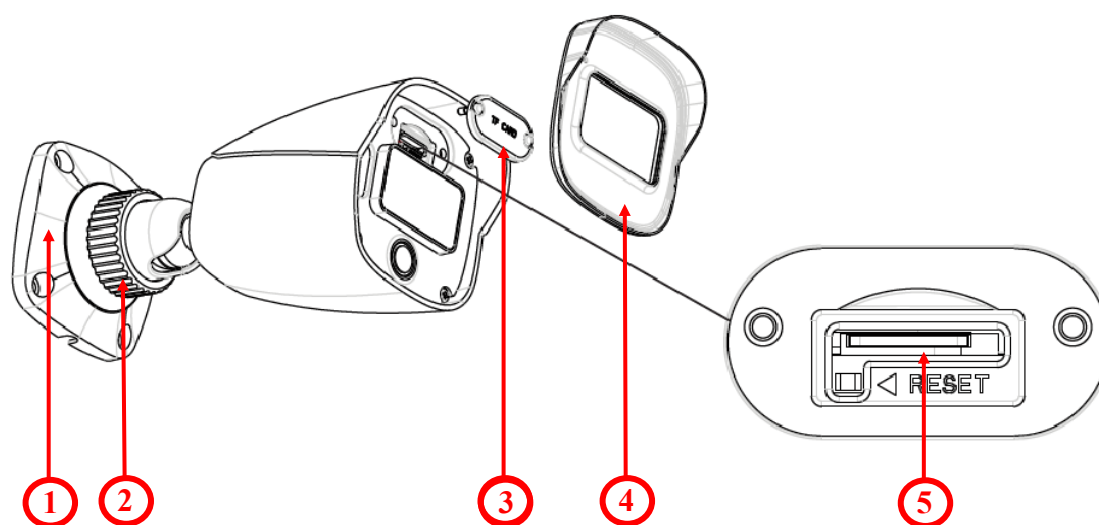
In order to provide protection against voltage surges/lightning strikes, usage of appropriate surge protectors is advised. Any damages resulting from surges are not eligible for service repairs.

## START-UP AND INITIAL CAMERA CONFIGURATION

### 2.3. Camera mounting

To mount a camera please follow the instructions below:

- Unscrew the counter nut (2).
- Put the bracket to the wall in a desired mounting place (with cable hole). Take the drill pattern and mark future drilling holes for screws and wires.
- Drill holes for screws, wires and base.
- Mount the camera base (1) using the supplied plugs and screws.
- If necessary, remove the plastic cover (4), unscrew the camera service panel (3), mount microSD card in the socket (5), screw the camera service panel (3) and put on plastic cover(4).
- Connect the camera wires.
- Adjust camera position.
- Tighten to the stop counter nut (2).



#### CAUTION!

Please note that the wall or ceiling must have enough strength to carry the IP Camera.

#### CAUTION!

In order to obtain declared degree of protection please seal the camera bracket to prevent water getting inside. Furthermore, when installing the bracket on rough/uneven surfaces, please additionally seal the junction with appropriate sealing mass. Please pay special attention to any mounting holes and if they are a loop-through ones, seal them too.

## START-UP AND INITIAL CAMERA CONFIGURATION

### 2.4. Starting the IP camera

To run NOVUS IP camera you have to connect ethernet cable between camera and network PoE switch with PoE support (IEEE 802.3at/af).

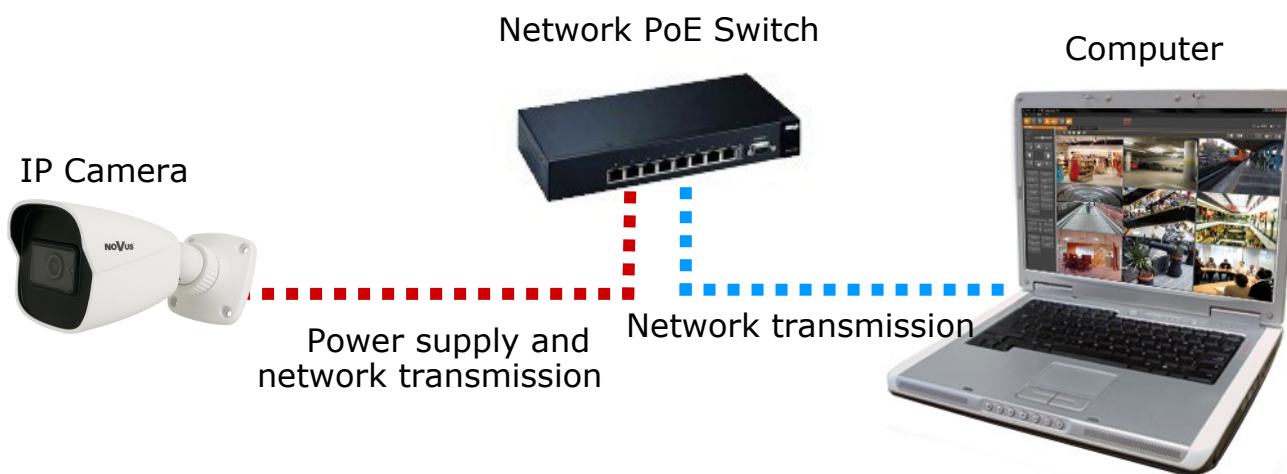
You can also power it from 12VDC power supply compatible with camera power supply specification.

After connecting power status red LED should light on. Initialization process takes about 2 minutes. Then you can connect to the camera via web browser.

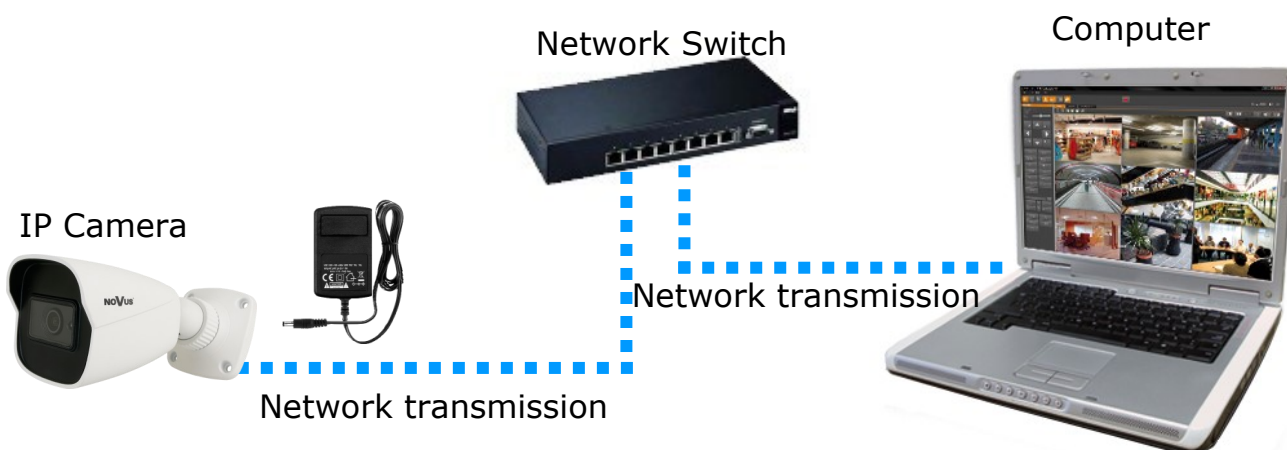
The recommended way to start an IP camera and perform its configuration is a direct connection to the network switch which is not connected to other devices. To obtain further information about network configuration parameters (IP address, gateway, network mask, etc.) please contact your network administrator.

eng

- Connection using network switch with PoE support



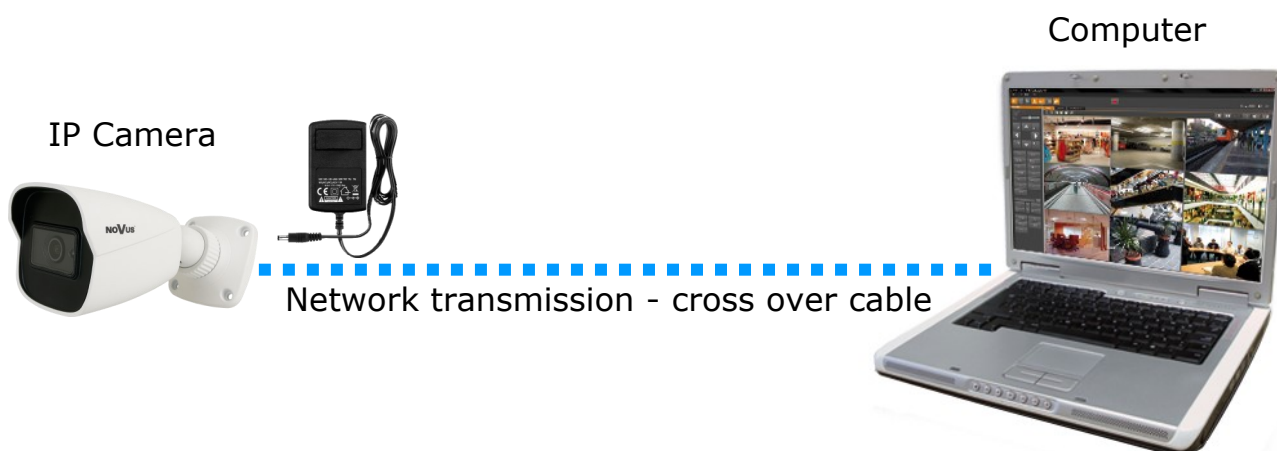
- Connection using external power supply and network switch



## START-UP AND INITIAL CAMERA CONFIGURATION

---

- Connection using external power supply directly to the computer



### *Information:*

*Power supply adapter is not included. Please use power adapter with parameters specified in user 's manual.*

### **2.5. Initial configuration via the web browser**

The default network settings for NVIP-5H-6201 camera are :

1. IP address= **192.168.1.200**
2. Network mask - **255.255.255.0**
3. Gateway - **192.168.1.1**
4. User name - **root**
5. Password - **pass**

Knowing the camera's IP address you need to appropriately set PC IP address, so the two devices can operate in one network subnet ( e.g. for IP 192.168.1.1, appropriate address for the camera ranges from 192.168.1.2 to 192.168.1.254, for example 192.168.1.60). It is not allowed to set the same addresses for camera and PC computer

You can either set a network configuration (IP address, gateway, net mask, etc.) of NOVUS IP camera yourself or select DHCP mode (DHCP server is required in this method in target network) by using web browser or by NMS software. When you use DHCP server check IP address lease and its linking with camera MAC address to avoid changing or losing IP address during device operation or network/DHCP server breakdown. You have to remember to use a new camera IP address after changing network parameters.

After network setting configuration has been done, the camera can be connected to a target network.

## START-UP AND INITIAL CAMERA CONFIGURATION

---

---

### 2.6. Security recommendations for network architecture and configuration

#### CAUTION!

**Below are shown security recommendations for network architecture and configuration of CCTV systems that are connected to the Internet to reduce the risk of unauthorized interference with the system by a third party.**

1. Absolutely change the default passwords and user names (if the device gives this possibility) of all applied network devices (recorders, cameras, routers, network switches, etc.) to the severely complexity password. Use lowercase and uppercase letters, numbers, and special characters if there is such possibility.
2. Depending on the available functionality in the order to restrict access to the used network devices at the administrator account level, it is recommended to configure the users accounts accordingly.
3. Do not use DMZ function (Demilitarized zone) in your router. Using that function you open the access to recorder system from the Internet on all ports, which gives possibility for an unauthorized interference with the system.

Instead of DMZ use port forwarding redirect only the ports which are necessary for the performance of the connection (detailed information about ports of communication in different models of recorders, cameras, etc. can be found in the operating instructions).

4. Use routers with firewall function and make sure it is enabled and properly configured.
5. It is recommended to change the default network communication port numbers of used devices if there is such possibility.
6. If used network devices has a UPnP feature and it is not used, turn it off.
7. If used network devices has a P2P feature and it is not used, turn it off.
8. If used network devices support HTTPS protocol for connection, it is recommended to use it.
9. If used network devices support IP filtering for authorized connections function, it is recommended to use it.
10. If used recorder has two network interfaces it is recommended to use both of them to physically separate network for cameras and network for Internet connection. The only device in the system, accessible from Internet will be recorder - there will be no physically access directly to any camera.

## NETWORK CONNECTION USING WEB BROWSER

### 3. NETWORK CONNECTION USING WEB BROWSER

#### 3.1. Recommended PC specification for web browser connections

Requirements below apply to connection with an IP camera, assuming smooth image display in 2592 x 1944 resolution and 30 fps speed.

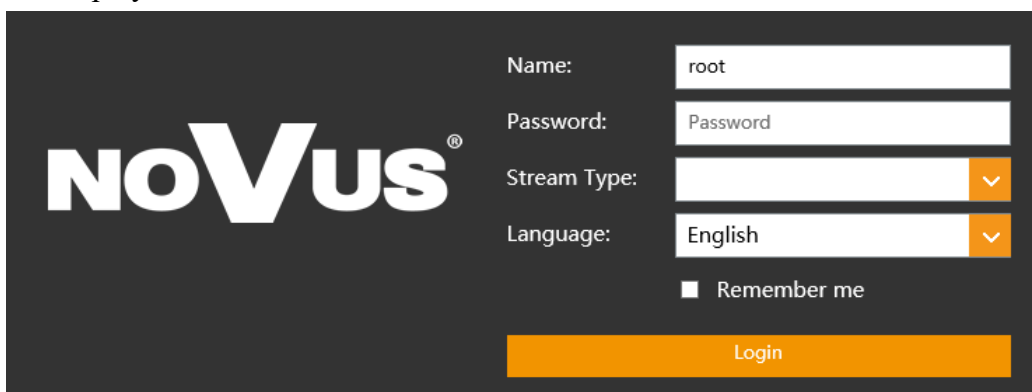
1. CPU **Intel i7 3 GHz** or faster
2. **RAM Memory min. 6 GB**
3. VGA card **Nvidia GeForce 1GB**
4. OS **Windows 7 / 8 / 8.1 / 10**
5. Network card **100/1000 Mb/s**

#### 3.2. Connection with IP camera via web browser

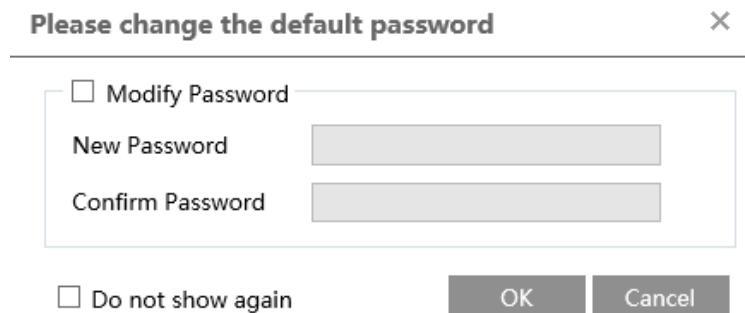
##### CAUTION!

**To maintain correct operation as snapshot or video recording you must run the browser as an administrator.**

You have to enter camera IP address in the web browser address bar. If IP address is correct user login window will be displayed:



In the *Language* box you can change the display language. Available languages: Polish, English and others.

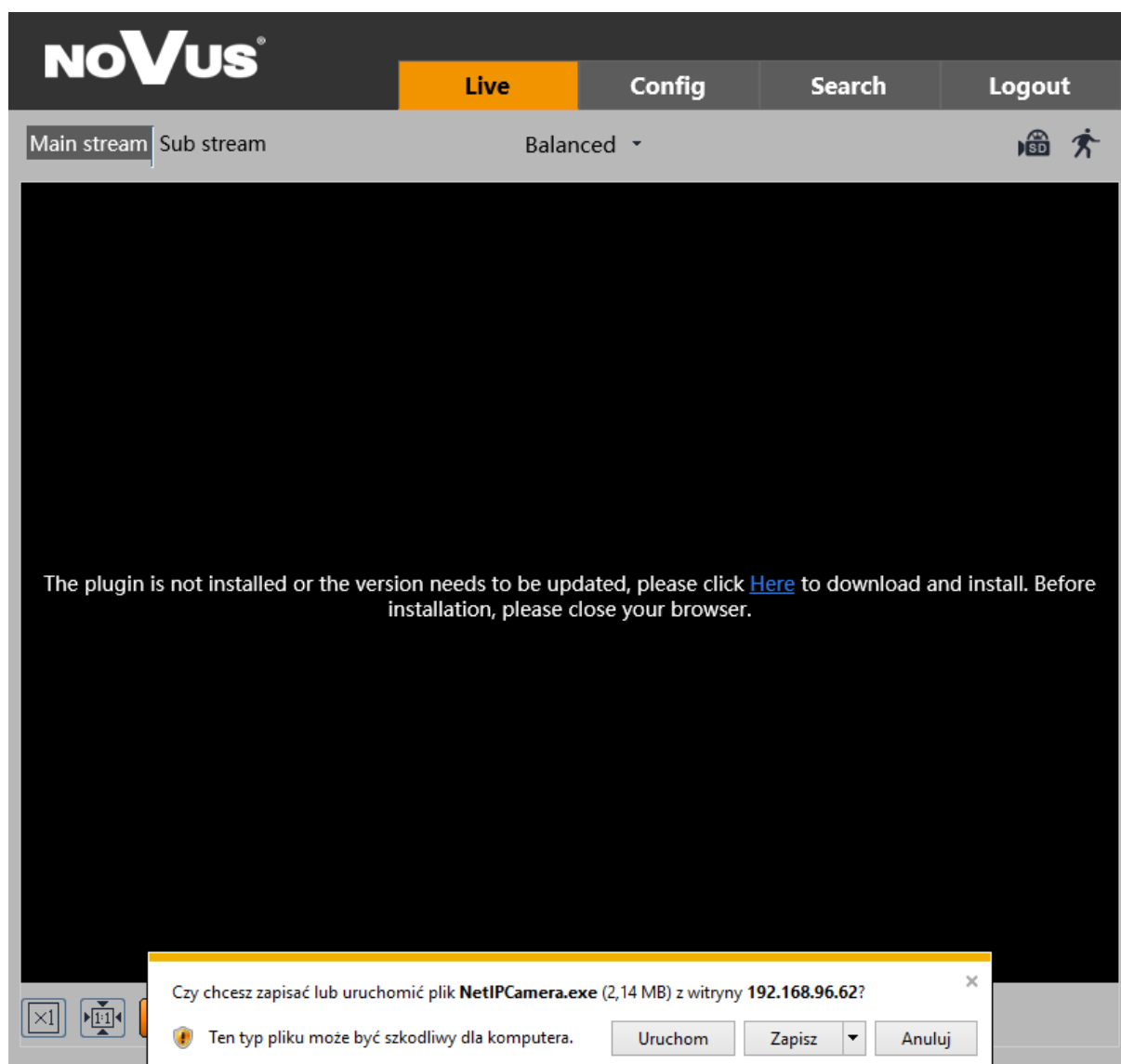


##### CAUTION!

Default user is **root** and default password is **pass**. The camera will ask you to change the default password during the first login (recommended). To do this, check the *Modify password* option and then enter and confirm the new password. In order to log into the camera without changing the password, press the *OK* button. The message will be displayed each time you log in, until you change your password, or select the *Do not show again* option.

## NETWORK CONNECTION USING WEB BROWSER

If you're first time running the camera, you will see the screen as below.



eng

To correctly camera working, you need a *NetIPCamera* plugin. You have to download and install it. To do it just click *Save* button, then *Run*, close IE browser, choose the language, click *Install* button and at the end click *Finish* button. After installation run IE browser.

### CAUTION!

In Windows Vista/7/8/8.1/10 the ActiveX applet may be blocked by Windows Defender or User account control. In such case you should allow to run this applet, or simply disable these functions.

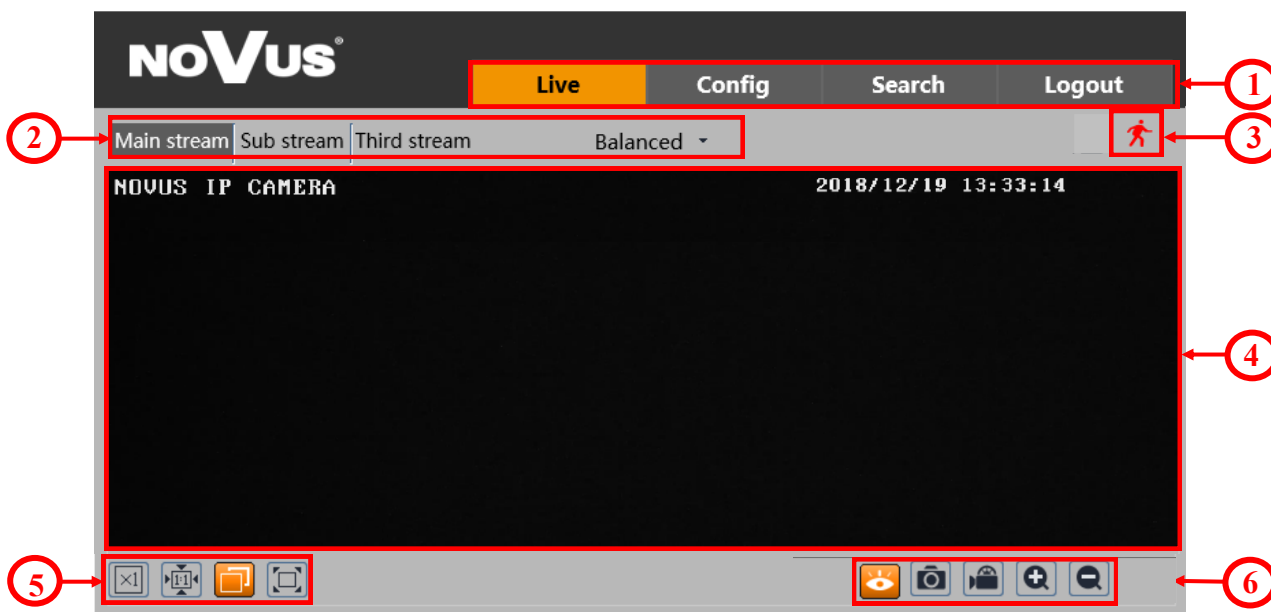
### CAUTION!

If the installation fails, changing security settings for the IE browser is required. In order to do that, please select Enable for *Initialize and script ActiveX controls not marked as safe* and *Download unsigned ActiveX controls* option

## WWW INTERFACE - WORKING WITH IP CAMERA

### 4. WWW INTERFACE - WORKING WITH IP CAMERA

#### 4.1 Displaying live video



#### 1. Camera menu

- *Live* - opens the camera live video
- *Config* - opens the camera configuration menu
- *Search* - opens the camera playback
- *Logout* - button used to log out the current user

2. The buttons for changing the displayed stream and fluency - allow to change the displayed stream to Main stream, Sub stream and also allow you to choose between *Real-time*, *Balanced* and *Fluent* fluency.

3. Alarm icons - icons showing the current status of some camera alarms.

4. Live video window

5. Image settings buttons - these buttons change the picture display mode in the live video preview



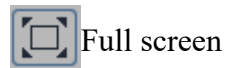
Original size



Adapt



Proper size



Full screen

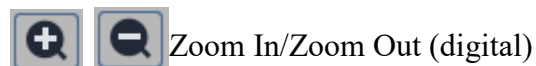
6. Function buttons - these buttons allow you to enable / disable some of functions



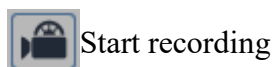
Stop live view



Snapshot



Zoom In/Zoom Out (digital)



Start recording



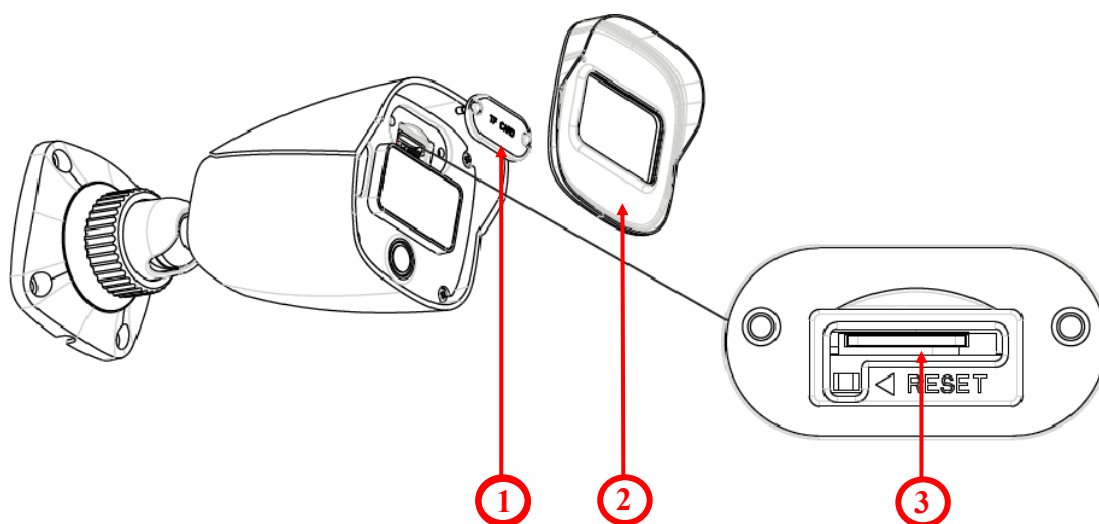
## ELECTRIC CONNECTORS AND ACCESORIES

### 5. ELECTRIC CONNECTORS AND ACCESORIES

#### 5.1. MicroSD card installation

Camera supports microSD cards up to a maximum size of 128GB. In order to install the card properly, please follow the instructions below:

- Turn off the camera power.
- Remove the plastic cover (2), unscrew the camera service panel (1).
- Mount microSD card in the socket (3).
- Screw the camera service panel (1) and put on the plastic cover (2).
- Turn on the camera.
- Check the microSD card by checking its capacity in the “System” -> “SD Card” tab.



## FACTORY SETTINGS RESTORING

### 6. FACTORY SETTINGS RESTORING

Restoring factory settings of the IP camera restores all default settings. This process takes about two minutes. NOVUS NVIP-5H-6201 cameras allow to restore defaults via:

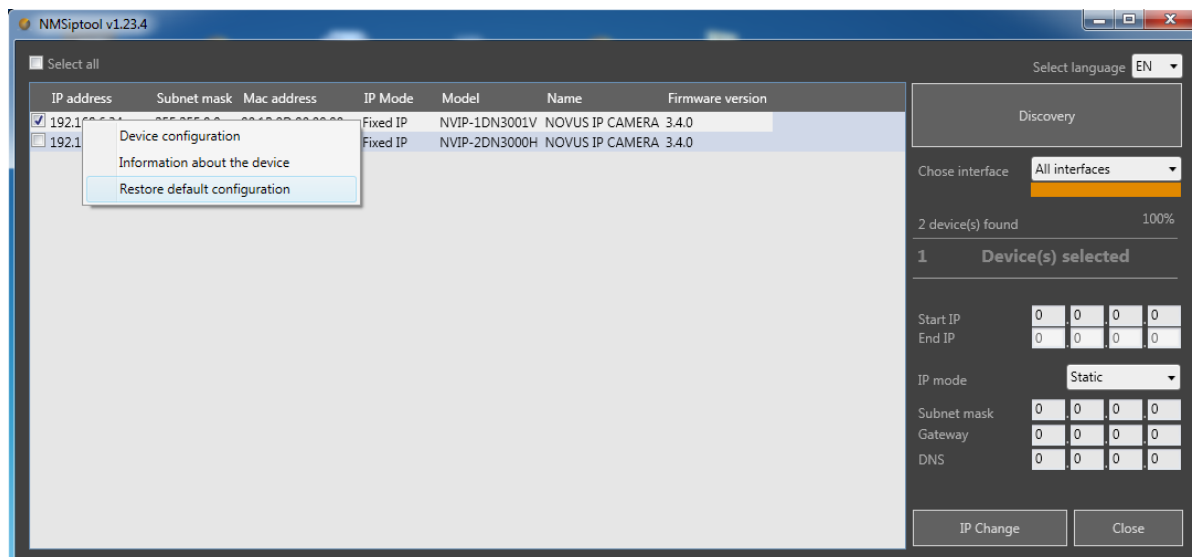
- software (via web browser )
- software (via NMS IPTool)
- hardware (using reset button)

#### 6.1. Software factory settings restoring via web browser

Restoring factory settings via web browser allows you to optionally keep some settings, such as network settings. To restore default settings go to: “Maintenance -> Backup and Restore” tab.

#### 6.2. Software factory settings restoring via NMS IPTool

NMS IPTool (version 1.23.4 or later) allows to restore factory settings. To restore settings find camera via NMS IPTool, click right mouse button and choose “Restore default configuration”. In 30 seconds it is required to turn the camera power off and on.

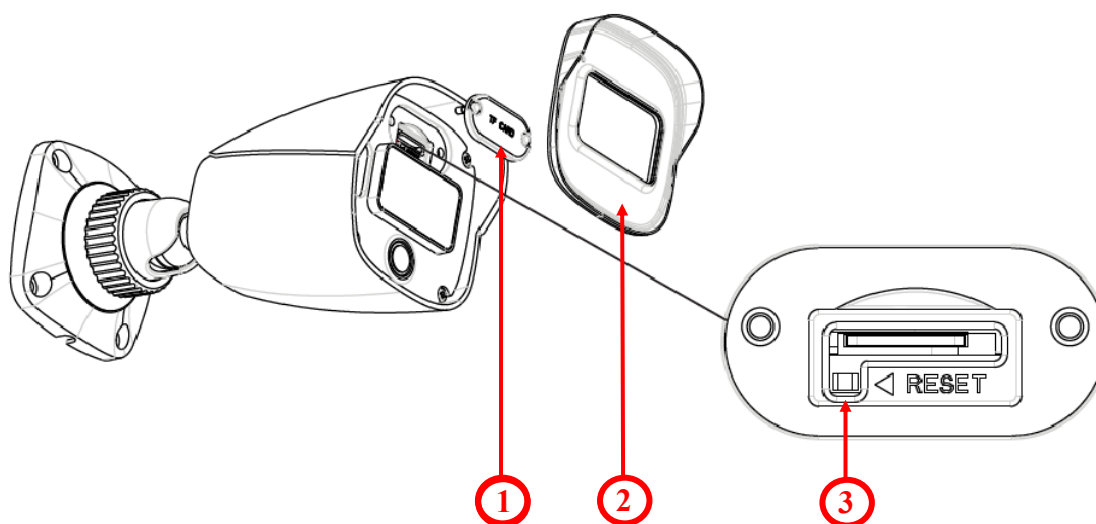


## FACTORY SETTINGS RESTORING

### 6.3. Hardware factory settings restoring

In order to restore factory settings using reset button, please follow the instructions below:

- Remove the plastic cover (2), unscrew the camera service panel (1).
- Press the reset button (3) and hold on for 10 seconds.
- Release button
- Screw the camera service panel (1) and put on the plastic cover (2).
- Log on after 2 minutes using default IP address (<http://192.168.1.200>) and default user name (**root**) and password (**pass**).



**noVus<sup>®</sup>**

**AAT SYSTEMY BEZPIECZEŃSTWA Sp. z o.o.**  
431 Puławska St., 02-801 Warsaw, Poland  
tel.: +4822 546 0 546, kontakt@aat.pl  
[www.novuscctv.com](http://www.novuscctv.com)

2021-08-03 JZ, MO, JB, PF

# Skrócona instrukcja obsługi



pl

## NVIP-5H-6201

# **NOVus<sup>®</sup>**

## UWAGI I OSTRZEŻENIA

---

---

### PRODUKT SPEŁNIA WYMAGANIA ZAWARTE W DYREKTYWACH:



**DYREKTYWA PARLAMENTU EUROPEJSKIEGO I RADY 2014/30/UE z dnia 26 lutego 2014 r.** w sprawie harmonizacji ustawodawstw państw członkowskich odnoszących się do kompatybilności elektromagnetycznej (Dz.U. L 096 z 29.3.2014, s. 79—106, z późniejszymi zmianami) – zwana Dyrektywa EMC



**DYREKTYWA PARLAMENTU EUROPEJSKIEGO I RADY 2012/19/UE z dnia 4 lipca 2012 r.** w sprawie zużytego sprzętu elektrycznego i elektronicznego (WEEE) Dz.U. L 96 z 29.3.2014, str. 79—106, z późniejszymi zmianami) – zwana Dyrektywa WEEE



**DYREKTYWA PARLAMENTU EUROPEJSKIEGO I RADY 2011/65/UE z dnia 8 czerwca 2011 r.** w sprawie ograniczenia stosowania niektórych niebezpiecznych substancji w sprzęcie elektrycznym i elektronicznym (Dz.U. L 174 z 1.7.2011, str. 88—110, z późniejszymi zmianami) - zwana Dyrektywa RoHS

#### Informacja

Urządzenie, jako element profesjonalnego systemu telewizji dozorowej służącego do nadzoru i kontroli, nie jest przeznaczone do samodzielnego montażu w gospodarstwach domowych przez osoby nie posiadające specjalistycznej wiedzy.

#### Wyłączenie odpowiedzialności w przypadku uszkodzenia danych zawartych na dysku lub innych urządzeniach:

Producent nie ponosi odpowiedzialności w razie uszkodzenia lub utraty w trakcie eksploatacji Produktu danych zawartych na dyskach lub innych urządzeniach.

#### Obowiązek konsultowania się z Producentem przed wykonaniem czynności nieprzewidzianej instrukcją obsługi albo innymi dokumentami:

Przed wykonaniem czynności, która nie jest przewidziana dla danego Produktu w instrukcji obsługi, innych dokumentach dołączonych do Produktu lub nie wynika ze zwykłego przeznaczenia Produktu, należy, pod rygorem wyłączenia odpowiedzialności Producenta za następstwa takiej czynności, skontaktować się z Producentem.



## WARUNKI BEZPIECZEŃSTWA

---

---

### **UWAGA!**

ZNAJOMOŚĆ NINIEJSZEJ INSTRUKCJI JEST NIEZBĘDNYM WARUNKIEM PRAWIDŁOWEJ EKSPLOATACJI URZĄDZENIA. PROSIMY O ZAPOZNANIE SIĘ Z NIM PRZED PRZYSTĄPIENIEM DO INSTALACJI I OBSŁUGI REJESTRATORA.

### **UWAGA!**

NIE WOLNO DOKONYWAĆ ŻADNYCH SAMODZIELNYCH NAPRAW. WSZYSTKIE NAPRAWY MOGĄ BYĆ REALIZOWANE JEDYNIEM PRZEZ WYKWALIFIKOWANYCH PRACOWNIKÓW SERWISU.

1. Przed zainstalowaniem i rozpoczęciem eksploatacji należy dokładnie zapoznać się z niniejszą instrukcją obsługi i zawartymi w niej wymogami bezpieczeństwa;
2. Uprasza się o zachowanie instrukcji na czas eksploatacji kamery na wypadek konieczności odniesienia się do zawartych w niej treści;
3. Należy skrupulatnie przestrzegać wymogów bezpieczeństwa opisanych w instrukcji, gdyż mają one bezpośredni wpływ na bezpieczeństwo użytkowników i trwałość oraz niezawodność urządzenia;
4. Wszystkie czynności wykonywane przez instalatorów i użytkowników muszą być realizowane zgodnie z opisem zawartym w instrukcji;
5. W czasie czynności konserwatorskich urządzenie musi być odłączone od zasilania;
6. Nie wolno stosować żadnych dodatkowych urządzeń lub podzespołów nie przewidzianych i nie zalecanych przez producenta;
7. Nie wolno używać kamery w środowisku o dużej wilgotności (np. w pobliżu basenów, wani, w wilgotnych piwnicach);
8. Nie należy instalować tego urządzenia w miejscu, gdzie nie można zapewnić właściwej wentylacji (np. zamknięte szafki, itp.), co powoduje zatrzymanie się ciepła i w konsekwencji może doprowadzić do uszkodzenia;
9. Nie wolno umieszczać kamery na niestabilnych powierzchniach. Kamera musi być instalowana przez wykwalifikowany personel o odpowiednich uprawnieniach według zaleceń podanych w niniejszej instrukcji;
10. Urządzenie może być zasilane jedynie ze źródeł o parametrach zgodnych ze wskazanymi przez producenta w danych technicznych serwera wideo. Dlatego też, zabrania się zasilania kamery ze źródeł o nieznanym, niestabilnym lub niezgodnym z wymaganiami określonymi przez producenta parametrach;

*Ponieważ produkt jest stale ulepszany i optymalizowany niektóre parametry i funkcje opisane w załączonej instrukcji mogły ulec zmianie.*

*Prosimy o zapoznanie się z najnowszą instrukcją obsługi znajdującą się na stronie [www.novuscctv.com](http://www.novuscctv.com) Instrukcja obsługi znajdującą się na stronie [www.novuscctv.com](http://www.novuscctv.com) jest zawsze najbardziej aktualną wersją.*

## SPIS TREŚCI

---

<b>SPIS TREŚCI</b> .....	4
<b>1. INFORMACJE WSTĘPNE</b> .....	5
1.1. Charakterystyka ogólna .....	5
1.2. Dane techniczne .....	6
1.3. Wymiary kamery .....	7
1.4. Zawartość opakowania .....	7
<b>2. URUCHAMIANIE I WSTĘPNA KONFIGURACJA KAMERY IP</b> .....	8
2.1. Opis złączy elektrycznych oraz elementów regulacyjnych .....	8
2.2. Podłączenie kabla sieciowego .....	9
2.3. Podłączenie zasilania .....	9
2.3. Montaż kamery .....	10
2.4. Uruchomienie kamery IP .....	11
2.5. Konfiguracja parametrów przy użyciu przeglądarki internetowej .....	12
2.6. Zalecenia dotyczące bezpieczeństwa sieci .....	13
<b>3. POŁĄCZENIA SIECIOWE ZA POMOCĄ PRZEGLĄDARKI WWW</b> .....	14
3.1. Zalecana konfiguracja komputera PC do połączeń przez przeglądarkę WWW .....	14
3.2. Połączenie sieciowe z kamerą IP za pomocą przeglądarki WWW .....	14
<b>4. INTERFEJS WWW - PRACA Z KAMERA</b> .....	16
4.1. Wyświetlanie obrazu na żywo .....	16
<b>5. POŁĄCZENIA ELEKTRYCZNE I ZŁĄCZA AKCESORIÓW</b> .....	17
5.1. Instalacja karty Micro SD .....	17
<b>6. PRZYWRACANIE USTAWIEŃ FABRYCZNYCH KAMERY</b> .....	18
6.1. Programowe przywracanie ustawień fabrycznych kamery .....	18
6.2. Przywracanie ustawień fabrycznych z poziomu programu NMS IPTool .....	18
6.3. Sprzętowe przywracanie ustawień fabrycznych kamery .....	19



## INFORMACJE WSTĘPNE

---

---

### 1. INFORMACJE WSTĘPNE

#### 1.1. Charakterystyka ogólna

- Rozdzielczość przetwornika: 5.0 megapikseli
- Mechaniczny filtr podczerwieni (możliwość pracy w podczerwieni)
- Czułość od 0.02 lx
- Szeroki zakres dynamiki (WDR) - funkcja poprawiająca jakość obrazu dla różnych poziomów oświetlenia sceny
- Wbudowany webserwer: kompresja i transmisja przez sieć wideo w czasie rzeczywistym
- Kompresja wideo: H.264, H.265
- Rozdzielczość przetwarzania wideo do 2592 x 1944
- Elektroniczna migawka od 1/2 s do 1/100000 s.
- Cyfrowa redukcja szumu (DNR)
- Redukcja efektu oślepienia kamery (HLC)
- Kompensacja tylnego światła (BLC)
- Redukcja migotania obrazu (Antiflicker)
- Możliwość definiowania kompresji, rozdzielczości, prędkości i jakości dla każdego strumienia
- Obsługa do 3 strumieni
- Wsparcie protokołu ONVIF
- Obsługa protokołu RTSP do transmisji wideo
- Obszary obserwacji ROI
- Strefy prywatności
- Wspieranie obsługi karty Micro SD, pojemność do 128 GB
- Możliwość definiowania reakcji systemu na zdarzenia alarmowe: wysłanie e-mail z załącznikiem, zapis na FTP
- Analiza obrazu (VCA):
  - sabotaż
  - pojawienie się obiektu
  - zniknięcie obiektu
  - przekroczenie linii
  - wkroczenie do strefy
  - zmiana sceny
  - zmiana kolorystyki
- Oprogramowanie: NMS (NOVUS MANAGEMENT SYSTEM) - do rejestracji wideo, podglądu „na żywo”, odtwarzania oraz zdalnej konfiguracji urządzeń wideo IP
- Zasilanie 12 VDC / PoE

## INFORMACJE WSTĘPNE

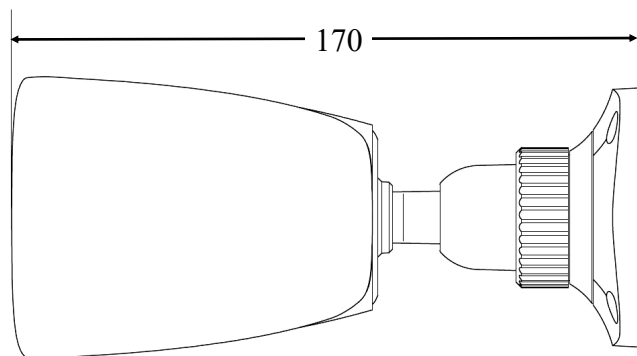
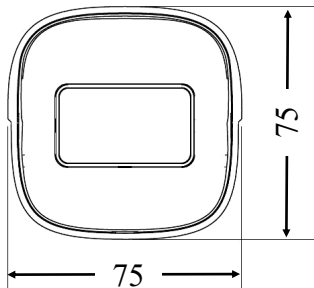
### 1.2. Dane techniczne

<b>Obraz</b>	
Przetwornik obrazu	5 MPX, matryca CMOS, 1/2.7", SmartSens
Liczba efektywnych pikseli	2608 (H) x 1960 (V)
Czułość	0.02 lx/F1.85 - tryb kolorowy 0 lx (IR wł.) - tryb czarno-biały
Elektroniczna migawka	automatyczna/manualna: 1/2 s ~ 1/100000 s
Wydłużona migawka (DSS)	do 1/2 s
Szeroki zakres dynamiki (WDR)	tak
Cyfrowa redukcja szumu (DNR)	2D, 3D
Funkcja Defog (F-DNR)	tak
Redukcja efektu oślepienia kamery (HLC)	tak
Kompensacja tylnego światła (BLC)	tak
Redukcja migotania obrazu (Antiflicker)	tak
<b>Obiektyw</b>	
Typ obiektywu	standardowy, f=2.8 mm/F1.85
<b>Dzień/noc</b>	
Rodzaj przełączania	mechaniczny filtr podczerwieni
Tryb przełączania	automatyczny, manualny, czasowy
Regulacja poziomu przełączania	tak
Opóźnienie przełączania	2 ~ 120 s
Harmonogram przełączania	tak
Czujnik światła widzialnego	tak
<b>Sieć</b>	
Rozdzielczość strumienia wideo	2592 x 1944, 2560 x 1440 (QHD), 1920 x 1080 (Full HD), 1280 x 720 (HD), 640 x 480 (VGA), 480 x 240, 320 x 240 (QVGA)
Prędkość przetwarzania	25 kl/s dla 2592 x 1944 30 kl/s dla 2560 x 1440 (QHD) i niższych rozdzielczości
Tryb wielostrumieniowy	3 strumienie
Kompresja wideo/audio	H.264, H.265/-
Liczba jednoczesnych połączeń	maks. 4
Przepustowość	łącznie 12 Mb/s
Obsługiwane protokoły sieciowe	HTTP, TCP/IP, IPv4, IPv4/v6, UDP, HTTPS, Multicast, FTP, DHCP, DDNS, NTP, RTSP, UPnP, QoS/DSCP, IEEE 802.1X, PPPoE, SMTP, ICMP, Unicast, SSL/TLS
Wsparcie protokołu ONVIF	Profile S
Konfiguracja kamery	z poziomu przeglądarki Internet Explorer języki: polski, angielski, rosyjski, i inne
Kompatybilne oprogramowanie	NMS, NVR-6000 Viewer
Aplikacje mobilne	SuperLive Plus (iPhone, Android)
<b>Pozostałe funkcje</b>	
Strefy prywatności	4 typu kolor
Detekcja ruchu	tak
Obszar obserwacji (ROI)	3
Analiza obrazu	sabotaż, pojawienie się obiektu, zniknięcie obiektu, przekroczenie linii, wkroczenie do strefy, zmiana sceny, zmiana kolorystyki
Obróbka obrazu	obrót obrazu o 180°, wyostżanie, odbicie lustrzane, przerzu- cenie obrazu w pionie, przerzucenie obrazu w poziomie
Prealarm/postalarm	-/do 120 s
Reakcja na zdarzenia alarmowe	e-mail, e-mail z załącznikiem, zapis na FTP
Przywracanie ustawień fabrycznych	z poziomu przeglądarki internetowej, za pomocą przycisku reset, za pomocą oprogramowania NMS IPTool

## INFORMACJE WSTĘPNE

<b>Oświetlacz IR</b>	
Liczba LED	1
Zasięg	30 m
Kąt świecenia	120°
<b>Interfejsy</b>	
Interfejs sieciowy	1 x Ethernet - złącze RJ-45, 10/100 Mbit/s
Gniazdo kart pamięci	microSD - pojemność do 128GB
<b>Parametry instalacyjne</b>	
Wymiary (mm)	z uchwytem: 75 (szer.) x 75 (wys.) x 170 (dł.)
Masa	0.4 kg
Klasa szczelności	IP 67 (szczegóły w instrukcji obsługi)
Obudowa	aluminiowa, w kolorze białym, uchwyt ścienny z przepustem kablowym w zestawie, stopień ochrony IK10
Zasilanie	PoE, 12 VDC
Zabezpieczenia przeciwprzepięciowe	TVS 4000 V
Pobór mocy	3 W 6 W (IR wł.)
Temperatura pracy	-30°C ~ 60°C
Wilgotność	maksymalnie 95%, względna (bez kondensacji)

### 1.3. Wymiary kamery (mm)



### 1.4. Zawartość opakowania

Po otwarciu należy upewnić się czy w opakowaniu znajdują się następujące elementy:

- Kamera IP
- Torebka z akcesoriami montażowymi
- Skrócona instrukcja obsługi.

Jeżeli którykolwiek z elementów został uszkodzony w transporcie, należy spakować zawartość z powrotem do oryginalnego opakowania i skontaktować się z dostawcą.

#### UWAGA:

**Zabronione jest stosowanie jako źródło zasilania kamery urządzeń (zasilacze, adaptory itp.) PoE niezgodnych ze standardem IEEE 802.3at/af, potocznie nazywanych „pasywne zasilacze PoE”. Uszkodzenia wynikłe ze stosowania nieodpowiednich źródeł zasilania nie podlegają gwarancji.**

## URUCHAMIANIE I WSTĘPNA KONFIGURACJA KAMERY IP

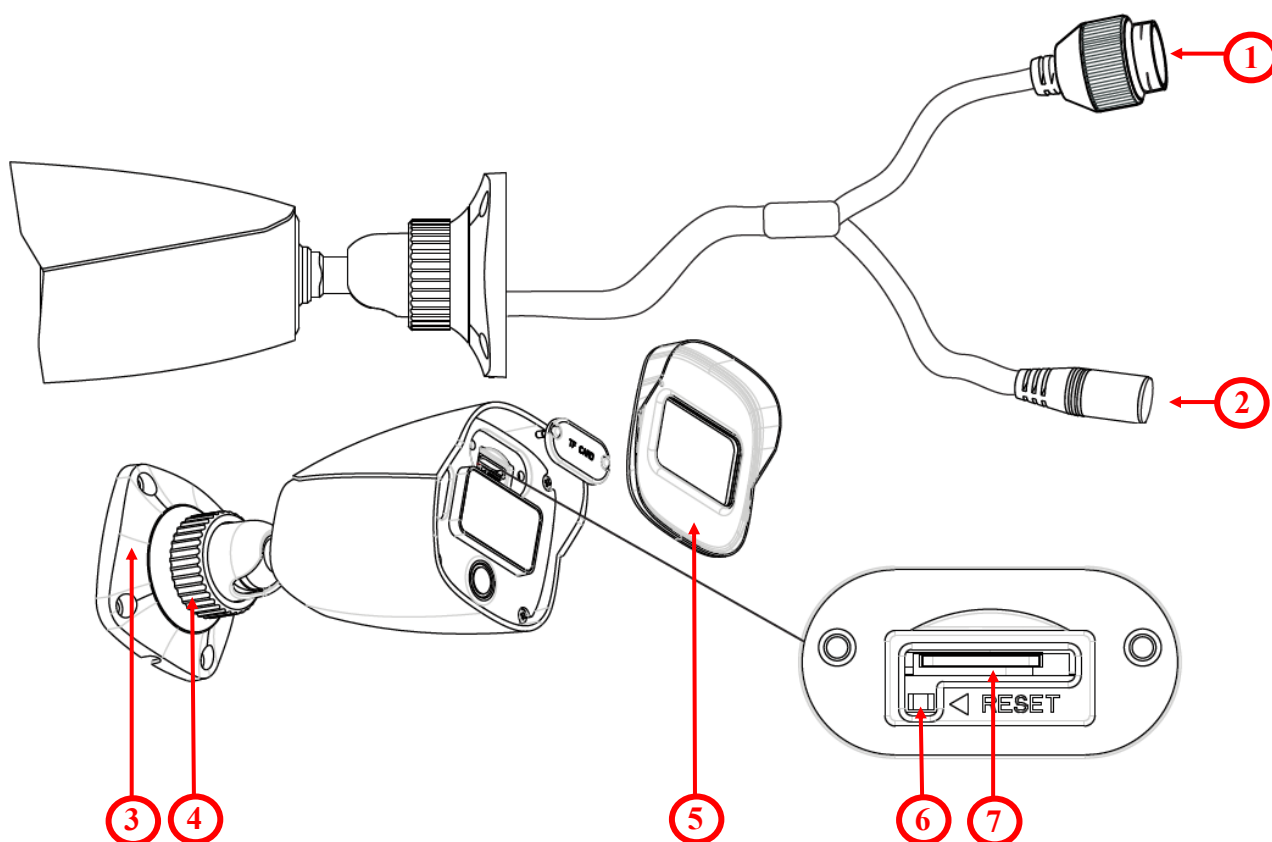
### 2. URUCHAMIANIE I WSTĘPNA KONFIGURACJA KAMERY IP

#### UWAGA:

Jeżeli urządzenie przyniesione zostało z pomieszczenia o niższej temperaturze należy odczekać aż osiągnie temperaturę pomieszczenia, w którym ma pracować. Nie wolno włączać urządzenia bezpośrednio po przyniesieniu z chłodniejszego miejsca. Kondensacja zawartej w powietrzu pary wodnej może spowodować zwarcia i w konsekwencji uszkodzenie urządzenia.

Przed uruchomieniem urządzenia należy zapoznać się z opisem i rolą poszczególnych wejść, wyjść oraz elementów regulacyjnych, w które wyposażone są kamery.

#### 2.1 Opis złączy elektrycznych oraz elementów regulacyjnych



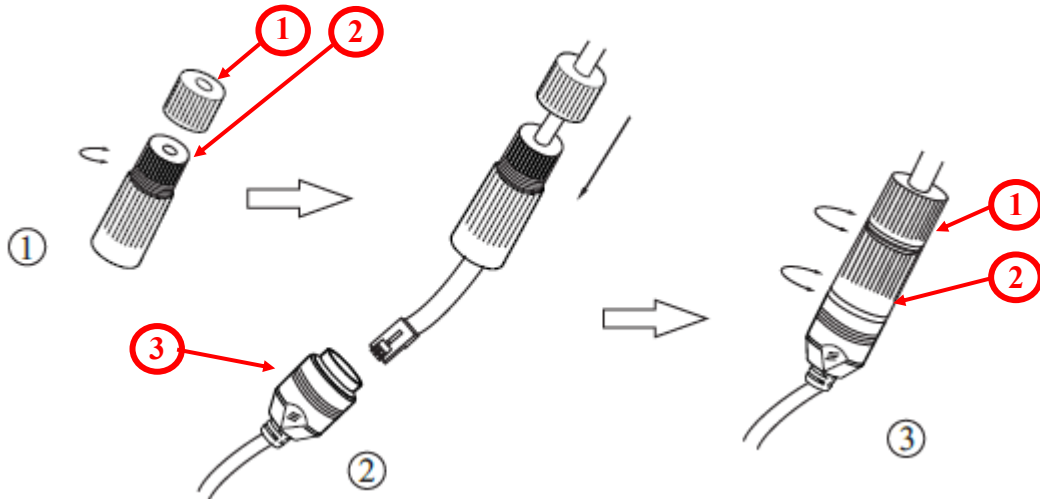
1. Złącze Ethernet 100 Mbit/s (gniazdo PoE RJ-45)
2. Złącze zasilania kamery 12VDC
3. Podstawa kamery
4. Nakrętka kontruująca obudowy
5. Plastikowa osłona
6. Przycisk reset
7. Gniazdo karty micro SD

## URUCHAMIANIE I WSTĘPNA KONFIGURACJA KAMERY IP

### 2.2. Podłączenie kabla sieciowego

Aby zachować hermetyczność połączenia kabla sieciowego należy postępować zgodnie z poniższą instrukcją:

1. Odkręcić nakrętkę (1) od głównego elementu zabezpieczającego (2).
2. Poprowadzić kabel sieciowy (bez końcówki) przez oba elementy. Po przełożeniu kabla zacisnąć końcówkę RJ-45.
3. Podłączyć kabel do gniazda hermetycznego(3), przykręcić główną osłonę(2), a następnie nakrętkę(1)



Deklarowana klasa szczelności kamery dotyczy jej obudowy i nie uwzględnia możliwości wnikania wilgoci do wnętrza kamery poprzez przewody przyłączeniowe. Zabezpieczenie przewodów poprzez np. uszczelnienie ich odpowiednią masą jest obowiązkiem osoby instalującej kamerę. Producent nie ponosi odpowiedzialności za wszelkie szkody, uszkodzenia kamery powstałe w skutek niedopełnienia w/w obowiązku co jednocześnie oznacza, iż nie podlegają one naprawom gwarancyjnym.

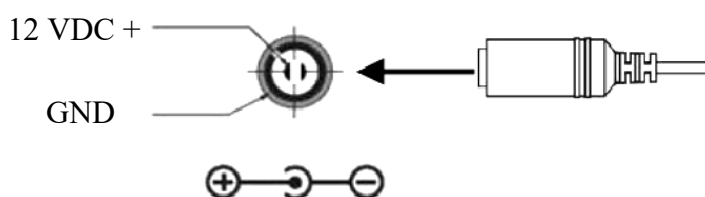
#### UWAGA:

Pozostałe złącza kamery nie są hermetyczne. Użytkownik powinien zapewnić ich szczelność we własnym zakresie.

### 2.3 Podłączenie zasilania

Kamera może być zasilana przez zewnętrzny zasilacz o parametrach zgodnych z zasilaniem kamery lub przez gniazdo sieciowe RJ45 przy wykorzystaniu technologii PoE (IEEE 802.3at/af). Do zasilania kamery poprzez PoE należy użyć przełącznika sieciowego lub zasilacza PoE zgodnego ze standardem IEEE 802.3at/af.

Schemat podłączenia zasilania 12 VDC



#### UWAGA:

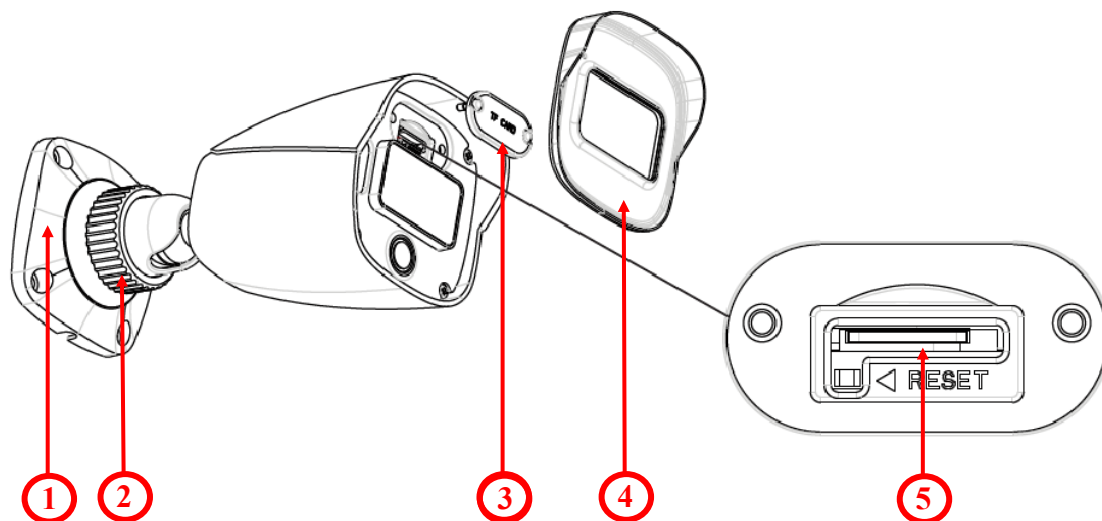
W celu ochrony kamery przed uszkodzeniem zalecane jest zastosowanie zabezpieczeń przepięciowych. Awarie powstałe w wyniku przepięć nie podlegają naprawie gwarancyjnej.

## URUCHAMIANIE I WSTĘPNA KONFIGURACJA KAMERY IP

### 2.3. Montaż kamery

W celu zamontowania kamery należy postępować zgodnie z podaną procedurą:

- Odkręcić nakrętkę blokującą podstawę (2)
- Wzorując się na położeniu otworów w podstawie kamery oraz korzystając z szablonu montażowego, zaznaczyć punkty pod przyszłe otwory mocujące i przepust kablowy.
- Wywiercić otwory montażowe i otwór pod kabel sygnałowy w miejscu podłączenia.
- Zamocować podstawę kamery (1) przy użyciu załączonych kołków i wkrętów.
- W razie potrzeby, zdjąć plastikową osłonę (4), odkręcić klapkę (3) umieszczoną na kamerze, włożyć kartę pamięci (5), założyć plastikową osłonę (4) i przykręcić klapkę (3).
- Podłączyć przewody kamery.
- Dokonać regulacji położenia kamery.
- Dokręcić do oporu nakrętkę blokującą podstawę (2)



#### UWAGA!

Należy zwrócić szczególną uwagę, aby powierzchnia do której mocowany jest uchwyt i kamera miała odpowiednią nośność.

#### UWAGA:

W celu zapewnienia deklarowanej szczelności należy zabezpieczyć otwory montażowe i przepust kablowy. W przypadku instalacji na nierównych/chropowatych powierzchniach, okolice otworów montażowych kamery należy dodatkowo zabezpieczyć masą uszczelniającą.

## URUCHAMIANIE I WSTĘPNA KONFIGURACJA KAMERY IP

### 2.4. Uruchomienie kamery IP

W celu uruchomienia kamery należy podłączyć kabel ethernetowy do gniazda sieciowego RJ45 kamery IP, a drugi koniec do przełącznika sieciowego PoE (IEEE 802.3at/af).

Możliwe jest również zasilanie kamery z zewnętrznego stabilizowanego zasilacza o parametrach spełniających wymagania kamery.

Po uruchomieniu zasilania zaświeci się czerwona dioda w wewnętrznej obudowie kamery. Rozpocznie się proces uruchomienia kamery który może potrwać około 2 minut. Poprawne połączenie z przełącznikiem sieciowym sygnalizowane jest przez zaświecenie się diody na zielono. Transfer danych sygnalizowany jest przez migotanie diody.

Zalecaną metodą uruchomienia i konfiguracji kamery IP jest podłączenie jej do komputera PC lub laptopa w wydzielonym przełączniku PoE, do którego nie ma podłączonych innych urządzeń. W przypadku zasilania z zewnętrznego zasilacza wystarczy zastosować dowolny przełącznik sieciowy, lub kabel podłączony bezpośrednio do komputera. W celu uzyskania danych potrzebnych do konfiguracji sieci (adres IP, brama, maska sieci itd.) należy skontaktować się z administratorem sieci, w której urządzenie ma pracować.

- Połączenie wykorzystujące przełącznik sieciowy z PoE

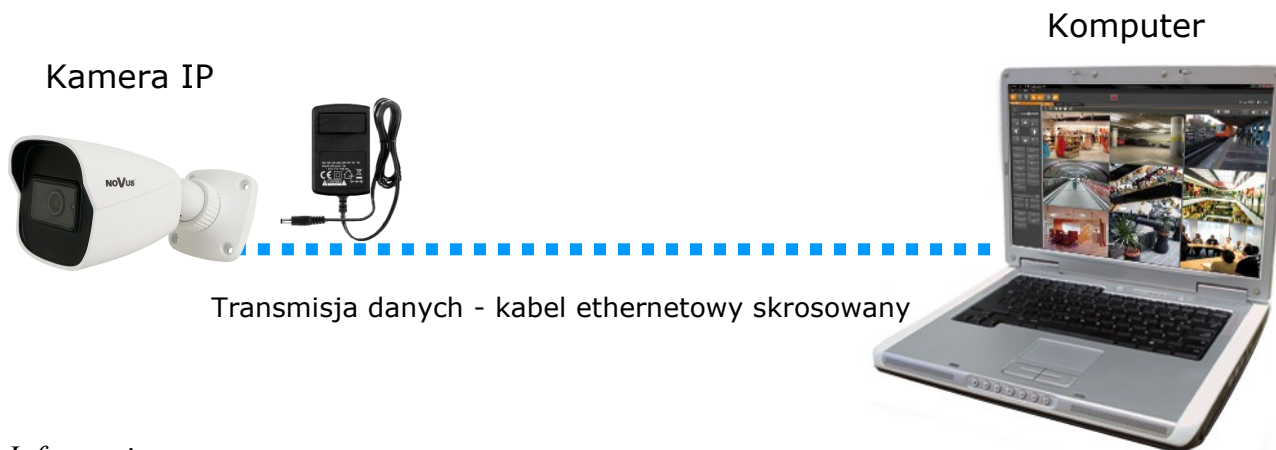


- Połączenie wykorzystujące zewnętrzne zasilanie kamery i przełącznik sieciowy



## URUCHAMIANIE I WSTĘPNA KONFIGURACJA KAMERY IP

- Połączenie wykorzystujące zewnętrzne zasilanie kamery i kabel ethernetowy skrosowany



### Informacja:

Zasilacz zewnętrzny nie wchodzi w skład zestawu., należy się w niego zaopatrzyć we własnym zakresie.

### 2.5. Konfiguracja parametrów przy użyciu przeglądarki internetowej

Konfigurację sieciową kamery można przeprowadzić przy pomocy przeglądarki internetowej.

Domyślne ustawienia sieciowe dla kamery NVIP-5H-6201 to:

1. Adres IP = **192.168.1.200**
2. Maska sieci - **255.255.255.0**
3. Brama - **192.168.1.1**
4. Nazwa użytkownika - **root**
5. Hasło - **pass**

Znając adres IP kamery należy ustawić adres IP komputera w taki sposób aby oba urządzenia pracowały w jednej podsieci (dla adresu IP kamery 192.168.1.200 jako adres IP komputera PC możemy ustawić adres z zakresu 192.168.1.0 - 192.168.1.254, np.: 192.168.1.60). Niedopuszczalne jest ustawianie adresu komputera takiego samego jak adres kamery.

Wykorzystując połączenie przez przeglądarkę internetową Internet Explorer lub oprogramowanie NMS należy ustawić docelową konfigurację sieciową (adres IP, maskę sieci, bramę, serwery DNS) lub włączyć tryb pracy DHCP pozwalający na pobranie adresu IP z serwera DHCP (wymagany jest wówczas działający serwer DHCP). W przypadku korzystania z serwera DHCP należy upewnić się co do długości okresu dzierżawy adresu IP, jego powiązania z adresem MAC kamery IP w celu uniknięcia zmiany lub utraty adresu IP w czasie pracy urządzenia lub chwilowej awarii sieci / serwera DHCP. Należy pamiętać że po zmianie adresu IP kamera zostanie zresetowana i trzeba wpisać nowy adres w przeglądarce internetowej.

Po konfiguracji ustawień sieciowych pozwalających na bezkonfliktową pracę urządzenia, kamerę IP możemy podłączyć do sieci docelowej.



## URUCHAMIANIE I WSTĘPNA KONFIGURACJA KAMERY IP

---

---

### 2.6. Zalecenia dotyczące bezpieczeństwa sieci

#### UWAGA!

**Poniżej zostały przedstawione podstawowe zalecenia dotyczące budowy oraz konfiguracji systemów telewizji dozorowej podłączonych do sieci Internet, pozwalające ograniczyć ryzyko nieautoryzowanej ingerencji w system przez osoby trzecie.**

1. Bezwzględnie należy zmienić domyślne hasła dostępu oraz nazwy użytkowników (jeśli dane urządzenia dają taką możliwość) wszystkich zastosowanych urządzeń sieciowych (tzn. rejestratora, kamer, routerów, przełączników sieciowych itp.) na hasła o znacznym stopniu skomplikowania. W zależności od możliwości konfiguracji danego urządzenia zaleca się, aby hasło zawierało: małe litery, wielkie litery, cyfry oraz znaki specjalne.

2. W zależności od dostępnej funkcjonalności w celu ograniczenia dostępu do zastosowanych urządzeń sieciowych na poziomie konta administratora zaleca się odpowiednią konfigurację kont użytkowników.

3. Bezwzględnie zabronione jest wykorzystywanie funkcji DMZ (Demilitarized zone - strefa zdemilitaryzowana). Zastosowanie tej funkcji otwiera dostęp do systemu od strony sieci Internet na wszystkich możliwych portach, co w znacznym stopniu ułatwia ewentualną nieautoryzowaną ingerencję w system.

Zamiast wykorzystywania funkcji DMZ należy zastosować przekierowanie portów. Przekierowane powinny zostać jedynie porty niezbędne do realizacji połączenia (szczegółowych informacji na temat portów komunikacji w poszczególnych modelach rejestratorów, kamer itp. należy szukać w instrukcjach obsługi urządzeń).

4. Należy stosować routery wyposażone w funkcję zapory sieciowej (Firewall) oraz upewnić się że funkcja jest włączona oraz odpowiednio skonfigurowana.

5. Jeśli urządzenia sieciowe posiadają taką funkcjonalność zalecana jest zmiana domyślnych numerów portów wykorzystywanych do komunikacji sieciowej.

6. Jeśli urządzenia sieciowe posiadają funkcję UPnP i nie jest ona wykorzystywana, należy ją bezwzględnie wyłączyć.

7. Jeśli urządzenia sieciowe posiadają funkcję P2P i nie jest ona wykorzystywana, należy ją wyłączyć.

8. Jeśli urządzenia sieciowe obsługują protokół HTTPS do realizacji połączeń zaleca się jego stosowanie.

9. Jeśli urządzenia sieciowe obsługują funkcję filtracji adresów IP uprawnionych do nawiązywania połączenia zaleca się jej wykorzystywanie.

10. Jeśli zastosowany rejestrator sieciowy wyposażony jest w dwa interfejsy sieciowe zaleca się odseparowanie sieci do której podłączone są kamery od sieci posiadającej połączenie internetowe. Dzięki temu urządzeniem dostępnym z poziomu sieci Internet będzie rejestrator natomiast połączenie z kamerami nie będzie możliwe.

## POŁĄCZENIA SIECIOWE ZA POMOCĄ PRZEGLĄDARKI WWW

### 3 POŁĄCZENIA SIECIOWE ZA POMOCĄ PRZEGLĄDARKI WWW

#### 3.1. Zalecana konfiguracja komputera PC do połączeń przez przeglądarkę WWW

Poniższe wymagania dotyczą połączenia z kamerą IP przy założeniu płynnego wyświetlania obrazu wideo w rozdzielczości 2592 x 1944 dla 30kl/s.

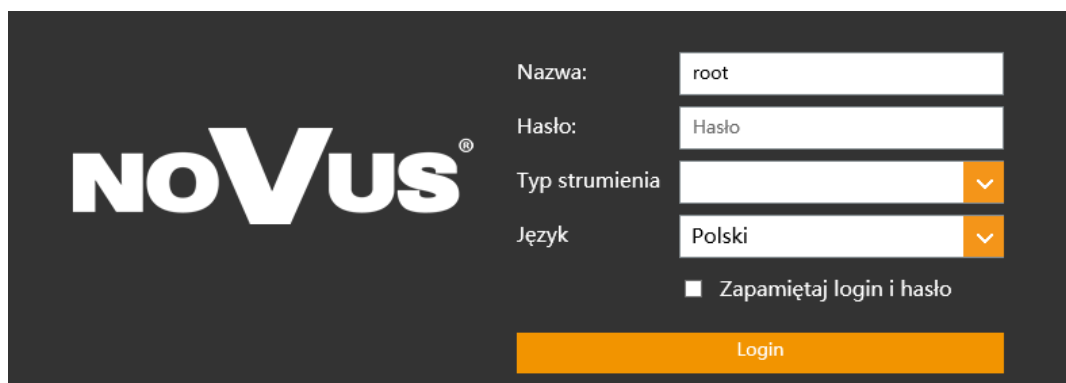
1. Procesor **Intel i7 3 GHz** lub wyższy
2. Pamięć **RAM min. 6 GB**
3. Karta grafiki **Nvidia GeForce 1GB**
4. System operacyjny **Windows 7 / 8 / 8.1 / 10**
5. Karta sieciowa **100/1000 Mb/s**

#### 3.2. Połączenie sieciowe z kamerą IP za pomocą przeglądarki WWW

##### UWAGA:

**Aby zachować poprawność działania funkcji zrzutu obrazu oraz nagrywania obrazu na komputer, przeglądarkę należy uruchomić z poziomu administratora.**

W pasku adresu przeglądarki internetowej należy wpisać adres IP kamery. Jeśli podany adres jest prawidłowy i docelowe urządzenie jest w danej chwili osiągalne zostanie wyświetlone okno logowania do interfejsu sieciowego:



Z listy wyboru można wybrać język wyświetlany w menu (dostępne są języki: polski, angielski i inne). Domyślny język to język polski.

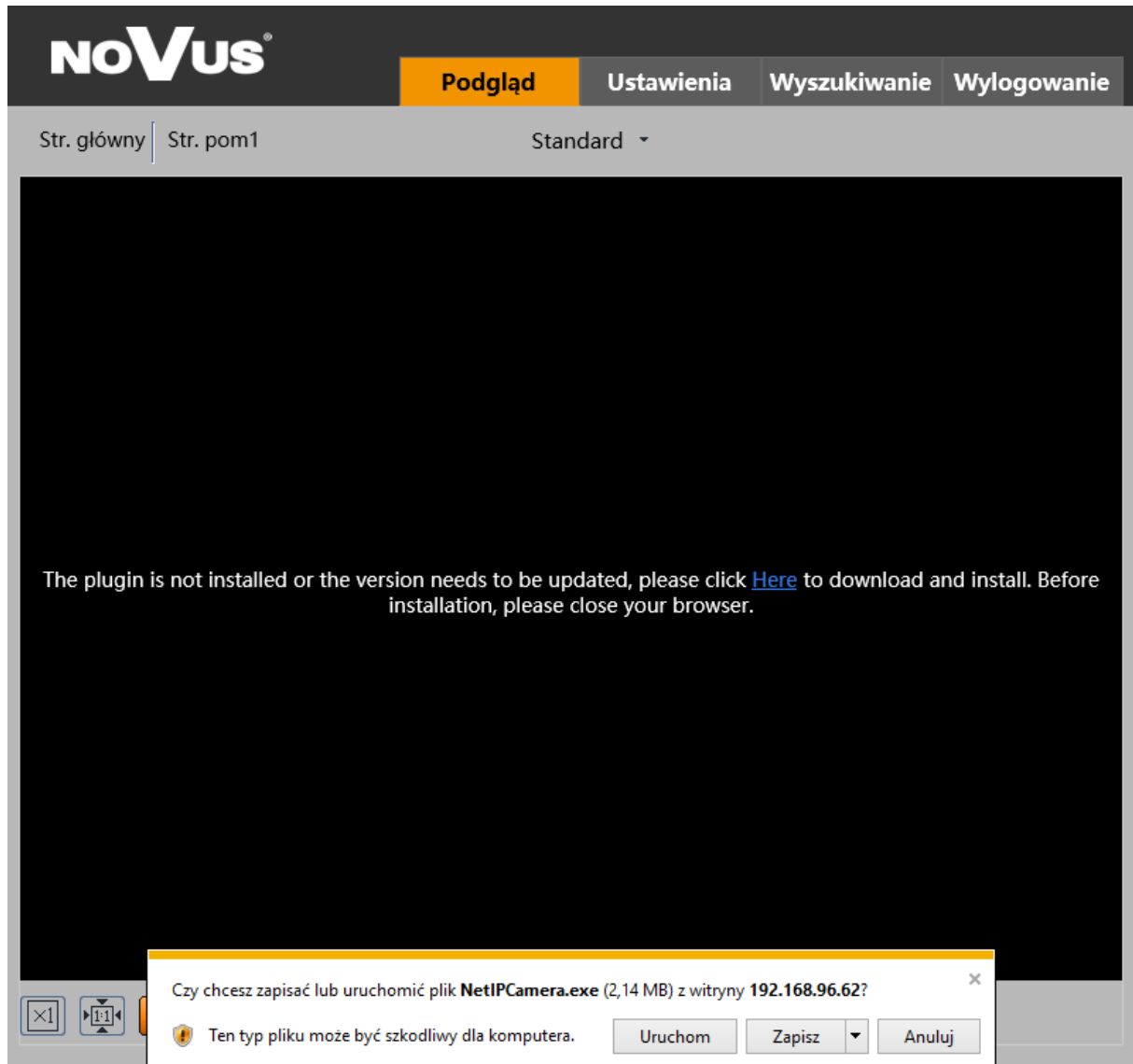


##### UWAGA!

Domyślny użytkownik to **root**, a hasło **pass**. Kamera podczas pierwszego logowania poprosi o zmianę domyślnego hasła (zalecane). W tym celu zaznaczyć opcję *Modyfikuj hasło* a następnie wpisać i potwierdzić nowe hasło. W celu zalogowania się do kamery bez zmiany hasła należy kliknąć przycisk *OK*. Komunikat będzie wyświetlany przy każdym zalogowaniu, do momentu zmiany hasła, lub zaznaczenia opcji *Nie pokazuj ponownie*.

## POŁĄCZENIA SIECIOWE ZA POMOCĄ PRZEGLĄDARKI WWW

Jeżeli kamera w danej przeglądarce uruchamiana jest pierwszy raz, po zalogowaniu do kamery ukaże nam się obraz jak poniżej:



Aby poprawnie obsługiwać kamery z poziomu przeglądarki, niezbędny jest dodatek *NetIPCamera*. Należy go pobrać i zainstalować korzystając z okienka dialogowego: należy kliknąć przycisk *Zapisz*, następnie *Uruchom*, zamknąć przeglądarkę IE, wybrać język, następnie kliknąć przycisk *Install* a na koniec instalacji należy kliknąć przycisk *Finish*. Po udanej instalacji należy uruchomić przeglądarkę IE i połączyć się z kamerą.

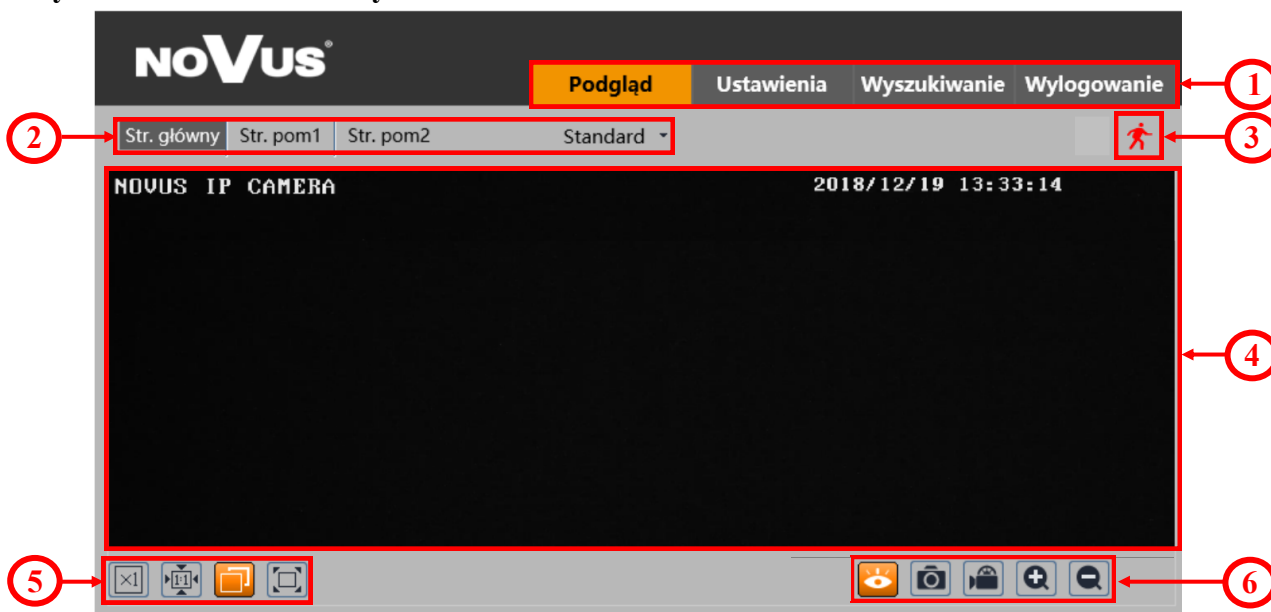
**UWAGA:** W przypadku pracy w systemie Windows 7/8/8.1/10 możliwe jest zablokowanie dodatku ActiveX przez Windows Defender i Kontrolę konta użytkownika. W takim przypadku należy zezwolić na uruchamianie dodatku lub po prostu wyłączyć działanie blokujących aplikacji.

**UWAGA:** Jeżeli podczas pobierania lub instalacji wystąpiły błędy, należy wybrać *Ustawienia Zabezpieczeń* w *Opcjach Internetowych* przeglądarki IE, oraz włączyć funkcję *Pobieranie niepodpisanych formantów ActiveX*.

## INTERFEJS WWW - PRACA Z KAMERA

### 4. INTERFEJS WWW - PRACA Z KAMERA

#### 4.1 Wyświetlanie obrazu na żywo



#### 1. Zakładki menu kamery

- *Podgląd* - otwiera okno wyświetlania obrazu na żywo
- *Ustawienia* - otwiera menu ustawień kamery
- *Wyszukiwanie* - otwiera okno odtwarzania nagrań kamery
- *Wylogowanie* - wyloguje aktualnie zalogowanego użytkownika


2. Przyciski zmiany wyświetlanego strumienia oraz buforowania - pozwalają zmienić wyświetlany strumień na strumień główny, pomocniczy 1, a ponadto pozwalają wybrać opcję buforowania *Na żywo*, *Standard* oraz *Płynnie*.


3. Ikony powiadomień - ikony przedstawiające aktualne stany niektórych alarmów kamery

4. Okno podglądu wideo

5. Przyciski ustawienia obrazu - przyciski te zmieniają tryb wyświetlania obrazu w oknie podglądu


 Oryginalny rozmiar


 Rozmiar automatyczny

 Dostosuj do ekranu


 Pełny ekran

6. Przyciski funkcyjne - przyciski te pozwalają włączać/wyłączać niektóre funkcje

 Zatrzymaj podgląd na żywo

 Zrób zdjęcie

 Przybliż/Oddal (cyfrowo)

 Włącz nagrywanie

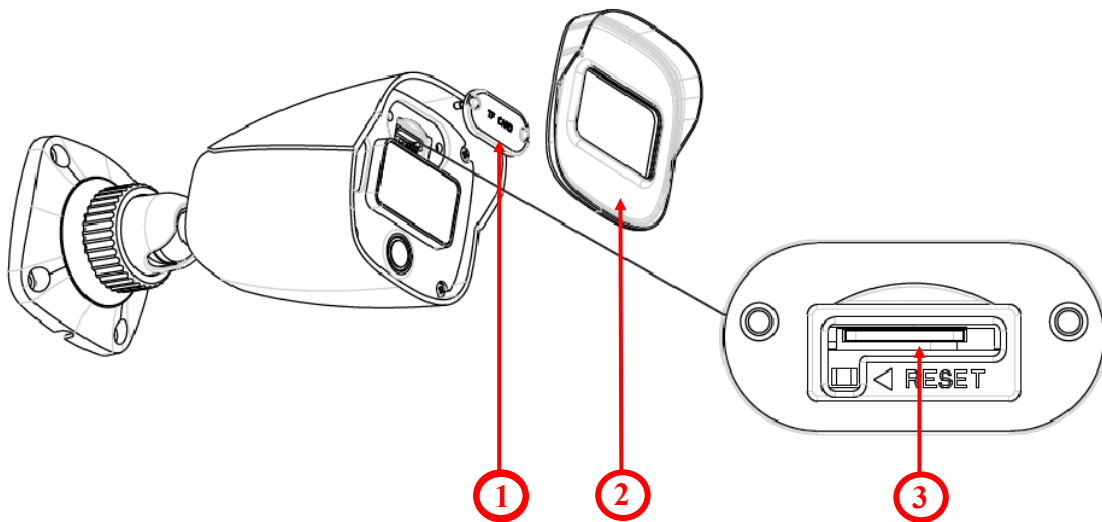
## POŁĄCZENIA ELEKTRYCZNE I ZŁĄCZA AKCESORIÓW

### 5. POŁĄCZENIA ELEKTRYCZNE I ZŁĄCZA AKCESORIÓW

#### 5.1. Instalacja karty Micro SD

Kamera obsługuje karty Micro SD o pojemności do 128 GB. W celu prawidłowej instalacji karty należy postępować zgodnie z instrukcją:

- Wyłączyć zasilanie kamery.
- Zdjąć plastikową osłonę (2) i odkręcić klapkę (1) umieszczoną na kamerze.
- Włożyć kartę pamięci (3).
- Przykręcić klapkę (1) i założyć plastikową osłonę (2).
- Włączyć kamerę.
- Sprawdzić poprawność zainstalowania karty przez zweryfikowanie jej rozmiaru w zakładce „System -> Karta SD”.



## PRZYWRACANIE USTAWIEŃ FABRYCZNYCH KAMERY

### 6. PRZYWRACANIE USTAWIEŃ FABRYCZNYCH KAMERY

Kamery NVIP-5H-6201 firmy NOVUS umożliwiają resetowanie ustawień:

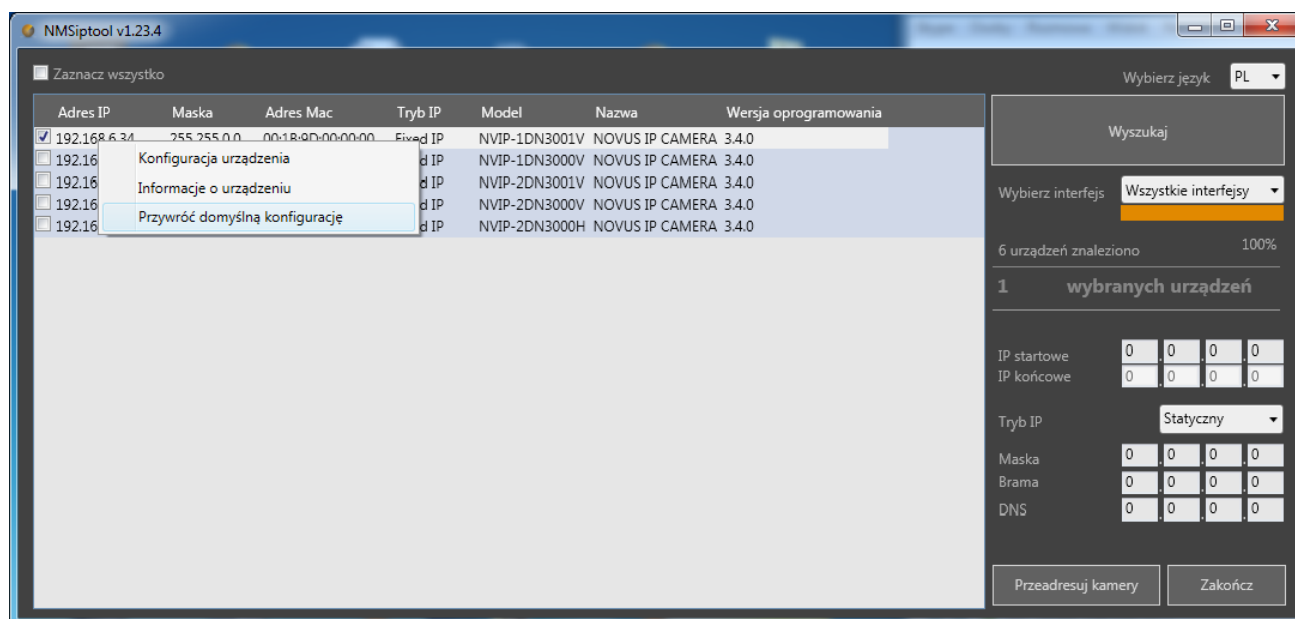
- programowo (z poziomu przeglądarki)
- programowo (z poziomu NMS IPTool)
- sprzętowo (przy użyciu przycisku reset)

#### 6.1. Programowe przywracanie ustawień fabrycznych kamery

Przywracanie ustawień fabrycznych kamery IP powoduje przywrócenie wszystkich domyślnych ustawień kamery (opcjonalnie z pominięciem niektórych ustawień, np. sieciowych). Kamera zostanie ponownie uruchomiona po ok. 1 minucie. Opcja do programowego przywrócenia ustawień fabrycznych znajduje się w zakładce „Kopia zapasowa, Fabryczne”.

#### 6.2. Programowe przywracanie ustawień fabrycznych kamery z poziomu programu NMS IPTool

Za pomocą programu NMS IPTool (wersja 1.23.4 lub wyższa) użytkownik może przywrócić ustawienia fabryczne, poprzez wybranie kamery, kliknięcie prawym przyciskiem myszy i wybranie opcji „Przywróć domyślną konfigurację”. Następnie wymagane jest odłączenie kamery z zasilania i ponowne podłączenie (w ciągu 30 sekund od momentu wybrania opcji „Przywróć domyślną konfigurację”).

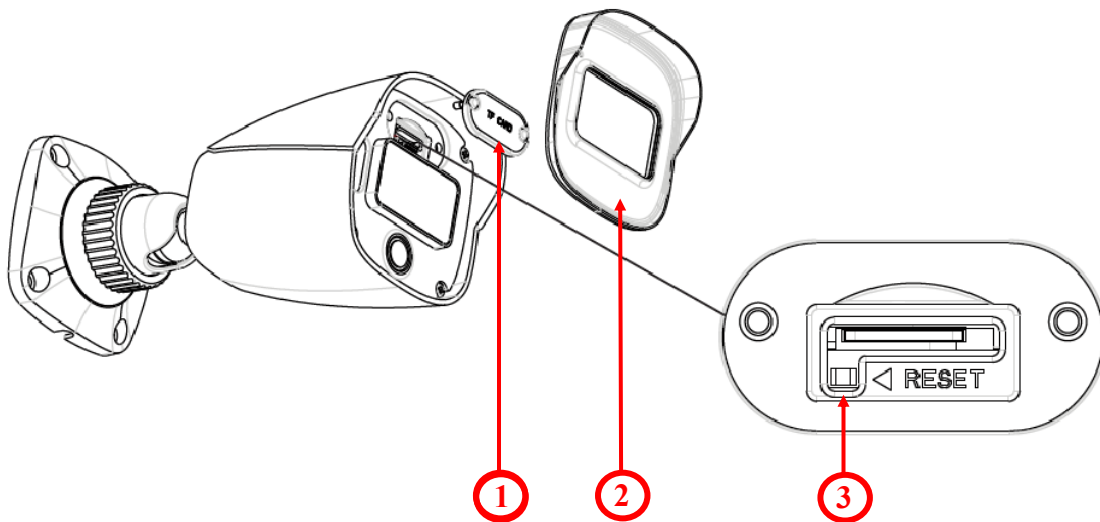


## PRZYWRACANIE USTAWIENÍ FABRYCZNYCH KAMERY

### 6.3. Sprzętowe przywracanie ustawień fabrycznych kamery

W celu sprzętowego przywrócenia ustawień fabrycznych kamery IP należy postępować zgodnie z instrukcją:

- Zdjąć plastikową osłonę (2) i odkręcić klapkę (1) umieszczoną na kamerze.
- Przytrzymać przycisk reset (3) przez 10 sekund.
- Zwolnić przycisk.
- Przykręcić klapkę (1) i założyć plastikową osłonę (2).
- Zalogować się ponownie po ok. 1 minucie używając domyślnego adresu IP (<http://192.168.1.200>), nazwy użytkownika (root) i hasła (pass).



**noVus<sup>®</sup>**

**AAT SYSTEMY BEZPIECZEŃSTWA Sp. z o.o.**  
ul. Puławska 431, 02-801 Warszawa, Polska  
tel.: 22 546 0 546, kontakt@aat.pl  
[www.novuscctv.com/pl](http://www.novuscctv.com/pl)

2021-08-03 JZ, MO, JB, PF