

# Quick start guide



**NVIP-5SD-4550/33/F**

**noVus<sup>®</sup>**

## CAUTIONS AND WARNINGS

---

---

**THE PRODUCT MEETS THE REQUIREMENTS CONTAINED IN THE FOLLOWING DIRECTIVES:**



**DIRECTIVE 2014/30/EU OF THE EUROPEAN PARLIMENT AND OF THE COUNCIL of 26 February 2014** on the harmonization of the laws of the Member States relating to electromagnetic compatibility (OJ L 96, 29.3.2014, p. 79–106, with changes).



**DIRECTIVE 2012/19/EU OF THE EUROPEAN PARLIAMENT AND OF THE COUNCIL of 4 July 2012** on waste electrical and electronic equipment (WEEE) (OJ L 197, 24.7.2012, p. 38–71, with changes).



**DIRECTIVE 2011/65/EU OF THE EUROPEAN PARLIAMENT AND OF THE COUNCIL of 8 June 2011** on the restriction of the use of certain hazardous substances in electrical and electronic equipment (OJ L 174, 1.7.2011, p. 88–110, with changes).

**COMMISSION DELEGATED DIRECTIVE (EU) 2015/863 of 31 March 2015** amending Annex II to Directive 2011/65/EU of the European Parliament and of the Council as regards the list of restricted substances.

**DIRECTIVE (EU) 2017/2102 OF THE EUROPEAN PARLIAMENT AND OF THE COUNCIL of 15 November 2017** amending Directive 2011/65/EU on the restriction of the use of certain hazardous substances in electrical and electronic equipment.

### **Exclusion of liability in the event of damage to data contained on disks or other devices or media:**

The manufacturer is not liable in the event of damage or loss of data contained on disks or other devices or carriers during the operation of the Product.

### **Obligation to consult the Manufacturer before performing any action not provided for in the instruction manual or other documents:**

Before performing an action that is not provided for a given Product in the user manual, other documents attached to the Product or does not result from the normal purpose of the Product, it is necessary, under pain of exclusion of the Manufacturer's liability for the consequences of such action, to contact the Manufacturer.



**Pictures in this publication showing camera views can be simulations. Actual camera images may vary depending on the type, model, settings, observation area, or environmental conditions.**

## SAFETY REQUIREMENTS



Before using the device, read the instruction manual in order to ensure proper and safe operation of the device. Failure to comply with the instructions may lead to damage to the device and/or safety violations.



The user may not repair the device himself. Repairs and maintenance of the device may only be performed by qualified service personnel.



The device, which is an element of a professional CCTV system used for supervision and control, is not intended for self-assembly in households by persons without specialist knowledge.

eng

1. Please read this manual carefully before installation and operation;
2. Please keep this manual for the lifespan of the device in case referring to the contents of this manual is necessary;
3. It is necessary to comply with the safety requirements described in the manual, as they have a direct impact on the safety of users and the durability and reliability of the device;
4. All activities performed by installers and users must be carried out as described in the manual;
5. The device should be disconnected from power sources during maintenance procedures;
6. It is not allowed to use any additional devices, components or accessories not provided for and not recommended by the manufacturer;
7. Do not install this device in places where proper ventilation cannot be provided (e.g. closed cabinets, etc.), as this may cause heat build-up and may result in damage;
8. Do not place the device on unstable surfaces. Installation must be carried out by qualified personnel with appropriate permissions in accordance with the recommendations provided in this manual;
9. The device may be powered only from sources with parameters compliant with those indicated by the manufacturer in the technical data;



As the product is constantly improved and optimised, some of its parameters and functions may have changed from those described in this manual. If in doubt, please refer to the user manual at [www.novuscctv.com](http://www.novuscctv.com)

The user manual located at [www.novuscctv.com](http://www.novuscctv.com) is always the most up-to-date version.

## FOREWORD INFORMATION

### 1. TECHNICAL SPECIFICATION

<b>IMAGE</b>	
Image Sensor	5 MPX CMOS sensor 1/2.7" OmniVision
Number of Effective Pixels	2688 (H) x 1944 (V)
Min. Illumination	0.003 lx/F1.6 - color mode, 0 lx (IR on) - B/W mode
Electronic Shutter	auto/manual: 1/5 s ~ 1/20000 s
Digital Slow Shutter (DSS)	up to 1/5 s
Wide Dynamic Range (WDR)	yes (double scan sensor), 120dB
Digital Noise Reduction (DNR)	2D, 3D
Highlight Compensation (HLC)	yes
Back Light Compensation (BLC)	yes
<b>LENS</b>	
Optical Zoom	33x
Lens Type	motorized, auto-iris function, f=4.3 ~ 142 mm/F1.6 ~ F4.3
Auto-focus	zoom trigger, day/night mode trigger, manual trigger
<b>DAY/NIGHT</b>	
Switching Type	mechanical IR cut filter
Switching Mode	auto, manual, time
Switching Level Adjustment	yes
Visible Light Sensor	yes
<b>NETWORK</b>	
Stream Resolution	2592 x 1520, 2592 x 1944, 2304 x 1296, 1920 x 1080 (Full HD), 2048 x 1536 (QXGA), 1280 x 960, 1280 x 720 (HD), 640 x 480 (VGA), 320 x 240 (QVGA)
Frame Rate	30 fps for each resolution
Multistreaming Mode	3 streams (main stream, sub stream, third stream)
Video/Audio Compression	H.264, H.264+, H.265, H.265+, MJPEG/G.711
Number of Simultaneous Connections	max. 3 connections, (max. 14 streams in total)
Bandwidth	40 Mb/s in total
Network Protocols Support	HTTP, TCP/IP, IPv4/v6, UDP, HTTPS, FTP, DHCP, DNS, DDNS, NTP, RTSP, UPnP, SNMP, PPPoE, SMTP, HTML5, RTMP
Camera Configuration	from Edge, Firefox, Chrome, Opera browser languages: Polish, English, and others
Compatible Software	NOVUS MANAGEMENT SYSTEM VSS, NOVUS MANAGEMENT SYSTEM AC, N Control 4000
Mobile applications	RxCamView (iPhone, Android)

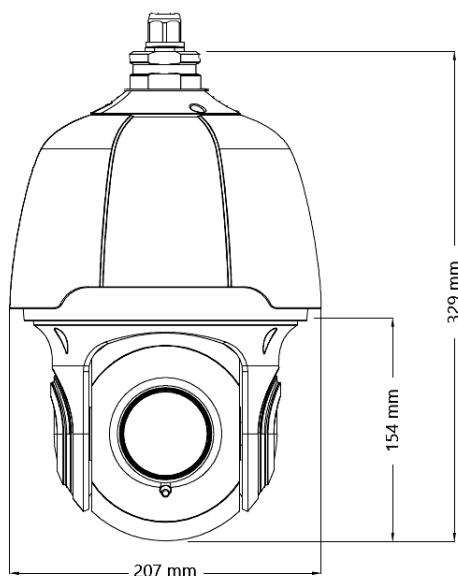
## FOREWORD INFORMATION

<b>PTZ</b>	
Preset Commands	255
Tours	4 (up to 32 presets per tour)
Patterns	4 (max. 512 commands for each pattern)
Tilt/Pan Range	-10° ~ 90°/360° (continuous)
Pan/Tilt Speed	up to 200°/s (proportional to zoom)
Preset Speed	up to 200°/s
<b>OTHER FUNCTIONS</b>	
Security	video encryption, IEEE 802.1X support, HTTPS support, MAC/IP address filtering, force change of default password
Privacy Zones	6 video mask type: single color
Motion Detection	yes
Audio Detection	yes
Video Content Analysis (VCA)	auto tracking linked to Video Content Analysis (VCA) functions, tamper, abandoned object, object disappearance, line cross, zone entrance, zone exit, zone violation, multi loiter, cross counting, heat map, queue length detection, objects distinguishing, comparing faces, smart motion detection with objects distinguishing
Image Processing	180° image rotation, sharpening, mirror effect
Prealarm/Postalarm	up to 6 s/up to 30 s
System Reaction to Alarm Events	e-mail with attachment, saving file on FTP server, saving file on SD card, alarm output activation, HTTP notification, object tracking
Restoring default settings	via web browser, using reset button
<b>LICENCE PLATE RECOGNITION (LPR)</b>	
Autonomous operation mode	yes - recognition function implemented in the camera
Capacity of License Plate Database	up to 10000 license plates, on all lists.
Types of recognized number plates	all countries of the European Union
Barrier control	yes - built-in relay output
Recommended maximum speed of the vehicle	up to 60 km/h
Data recorded in the camera base	number of recognized license plate
Reactions for the licence plate recognition	e-mail with attachment, saving file on FTP server, alarm output activation
<b>IR LED</b>	
LED Number	10
Range	up to 150 m (depends on current optical zoom value)
Smart IR	yes (hardware support)

## FOREWORD INFORMATION

INTERFACES	
Video Output	BNC, 1.0 Vp-p, 75 Ohm
Audio Input/Output	1/1
Alarm Input/Output	1 (NO/NC)/1 relay type (max. 12VDC/300mA)
Network Interface	1 x Ethernet - RJ-45 interface, 10/100 Mbit/s
Memory Card Slot	microSD - capacity up to 256GB
INSTALLATION PARAMETERS	
Dimensions (mm)	207 (Φ) x 329 (H) with bracket: 207 (W) x 398 (H) x 374 (L)
Weight	3.7 kg with bracket: 4.7 kg
Degree of Protection	IP 66 (details in the user's manual on page 9)
Enclosure	aluminium, white, in set: outdoor housing (integrated with the camera), wall mount bracket
Power Supply	12 VDC, PoE+ (IEEE 802.3at, Class 4)
Power Consumption	14 W, 25 W (IR illuminator on)
Operating Temperature	-30°C ~ 60°C
Cold start temperature	-35°C
Humidity	max. 90%, relative (non-condensing)

### 1.1. Camera dimensions



### 1.2. Package contents

After you open the package make sure that the following elements are inside:

- IP camera
- Wall mount
- Accessories bag
- Quick start guide

If any of this elements has been damaged during transport, pack all the elements back into the original box and contact your supplier for further assistance.

## START-UP AND INITIAL CONFIGURATION

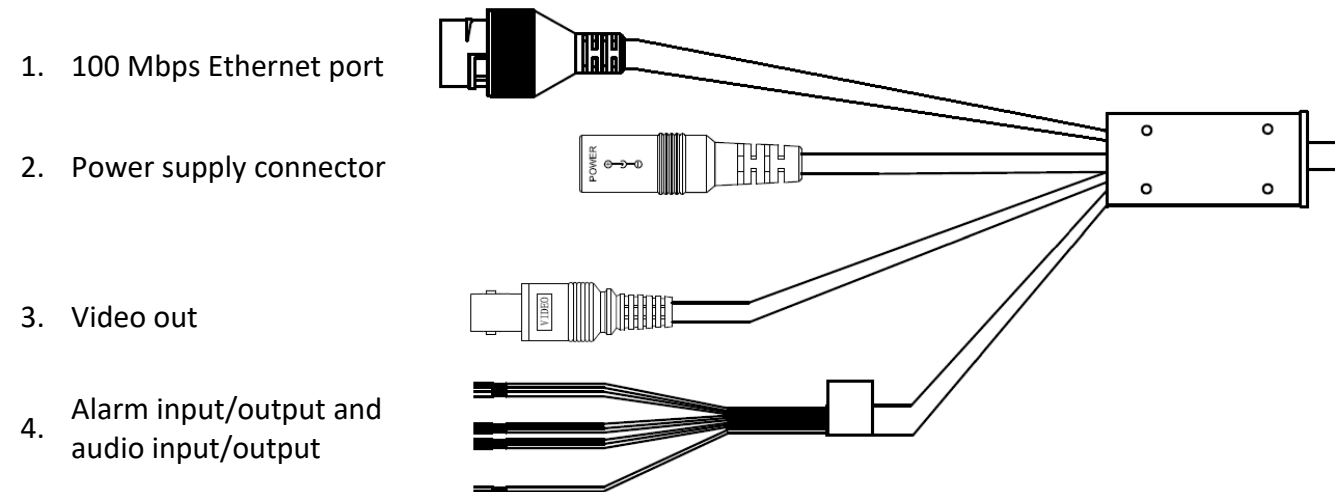
### Caution!

If the device was brought from a location with lower temperature, please wait until it reaches the temperature of location it is currently in. Turning the device on immediately after bringing it from a location with lower ambient temperature is forbidden, as the condensing water vapour may cause short-circuits and damage the device as a result.

## 2.START-UP AND INITIAL CONFIGURATION

Before starting the device familiarize yourself with the description and the role of particular inputs, outputs and adjusting elements that the device is equipped with.

### 2.1. Description of connectors



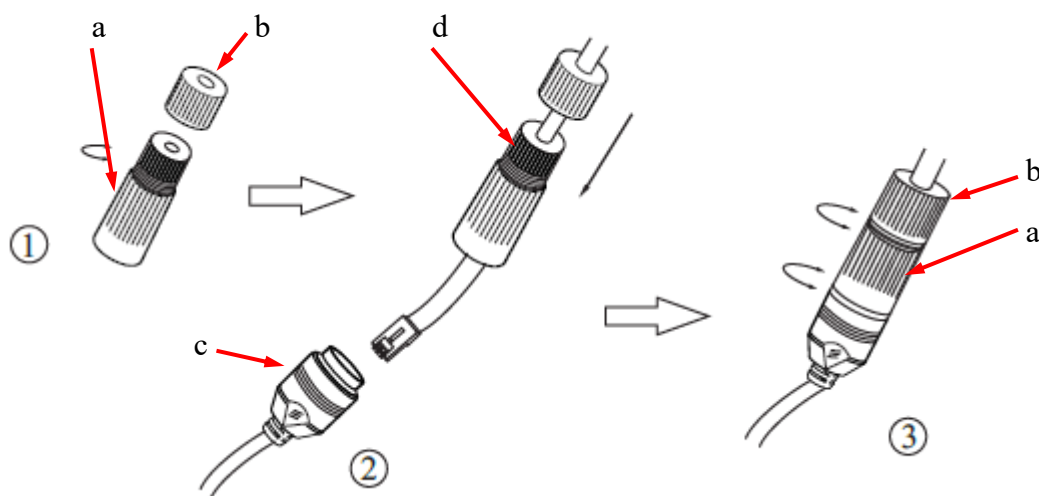
No	Connector type	Function	Description
1	RJ45 socket	Port Ethernet	100Mbps Ethernet connector
2	2.5/5.5 socket socket designation: "POWER"	Power connector	Power supply, 12VDC
3	BNC type socket	Video output	Analog video output
4	Alarm input/output and audio input/output wires	GREY alarm output	Alarm output, NO (relay, 12VDC/24VAC 0.3A max)
		GREEN alarm output COM	
		BLUE alarm input	Alarm input, configurable: NC or NO. The input is activated by shorting the leads
		WHITE/BLUE alarm input GND	
		PINK audio input	Line audio input and output
		WHITE/YELLOW audio output	
		PURPLE audio GND	
		YELLOW/GREEN ground	Camera ground

## START-UP AND INITIAL CONFIGURATION

### 2.2. Connecting ethernet cable

To ensure secure connection of the network cable, follow the instructions below:

1. Unscrew the nut (b) from the connector cover (a), put the sealing ring on the socket (c)
2. Route the network cable through parts (a) and (b). Insert the RJ-45 plug into the socket (c)
3. Screw the connector cover (a) onto the socket (c). Press the cable seal (d) into the upper part of the connector cover (a) as far as it will go - the seal has a cut enabling it to be put on the cable.
4. Tighten the nut (b) as far as it will go.



### 2.3. Power supply connection

The camera can be powered from AC or DC power supplies available on the market, provided that it meets the technical requirements of the camera. The power supply must provide a stabilized DC voltage of 12V, must allow for the consumption of at least 30W of power, and must have a DC 2.5/5.5 cylindrical power plug with the correct polarity of the contacts:



It is also possible to power the camera via the RJ45 network socket, using PoE + technology (IEEE 802.3at, Class 4).

#### Caution!

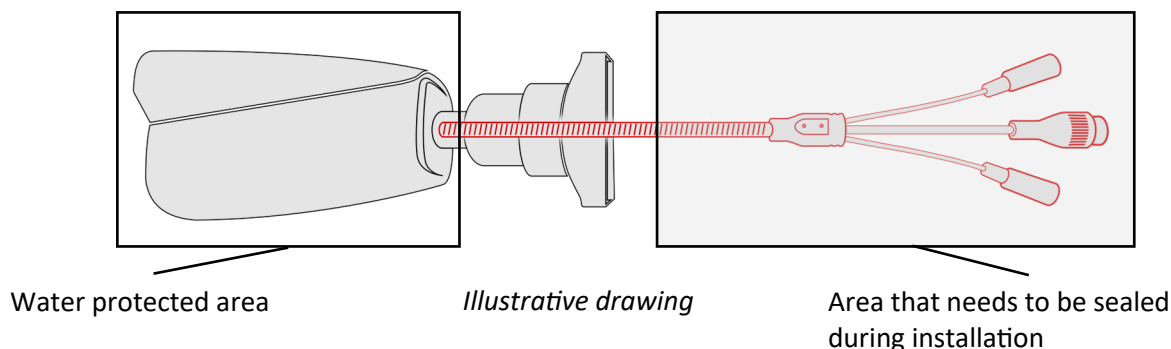
**Do not use power supplies and POE adapters that do not comply with the IEEE 802.3at standard, the so-called "passive POE" power supplies. Damage resulting from the use of an unsuitable adapter is not covered by the warranty!**



## START-UP AND INITIAL CONFIGURATION

### 2.4 Protection against water ingress

The declared tightness class of the camera applies to its housing, connectors of connecting cables on the housing (if any) and/or the point of entry of connecting cables into the housing (if any), provided that the connecting cables are properly connected and properly assembled in accordance with the procedure given in point 2.5 of the manual . It is the responsibility of the person installing the camera to protect the elements that require it against moisture.



The manufacturer is not responsible for any damages or camera malfunctions resulting from failure to comply with the above obligation, which also means that they are not covered by the warranty repairs.

The RJ-45 socket cover included in the camera accessories (depending on the version/model) is not a water protection element. Its purpose is to protect against the ingress of dust and atmospheric moisture into the socket and prevent accidental disconnections by mechanically stabilizing the network plug in the RJ-45 socket.

### 2.5. Wall mounting of the camera

#### A. Preparation of the installation site:

1. Place the mounting template (or the foot of the wall mount) on the surface on which the camera is to be mounted and use it as a template to mark the drilling points.
2. Drill holes in the marked places, insert expansion plugs.
3. Drill a hole for the cables at the connection point (if necessary)
4. Screw the two screws into the upper holes until they protrude by about 12 mm

#### B. Preparing the camera:

1. Pass the cables through the wall bracket
2. Attach the bracket to the camera.
3. Fasten the safety cable to the ear in the holder.

#### C. Camera Installation:

1. Connect the electric wires
2. Hang the camera with the bracket on the two upper screws
3. Screw in the two lower screws until they stop
4. Tighten the top screws fully

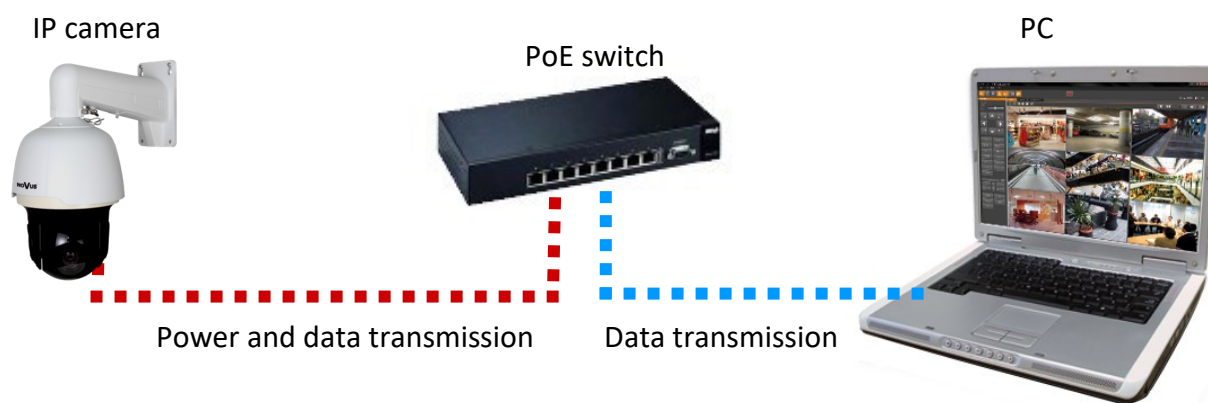
## START-UP AND INITIAL CONFIGURATION

### 2.6. Starting the camera

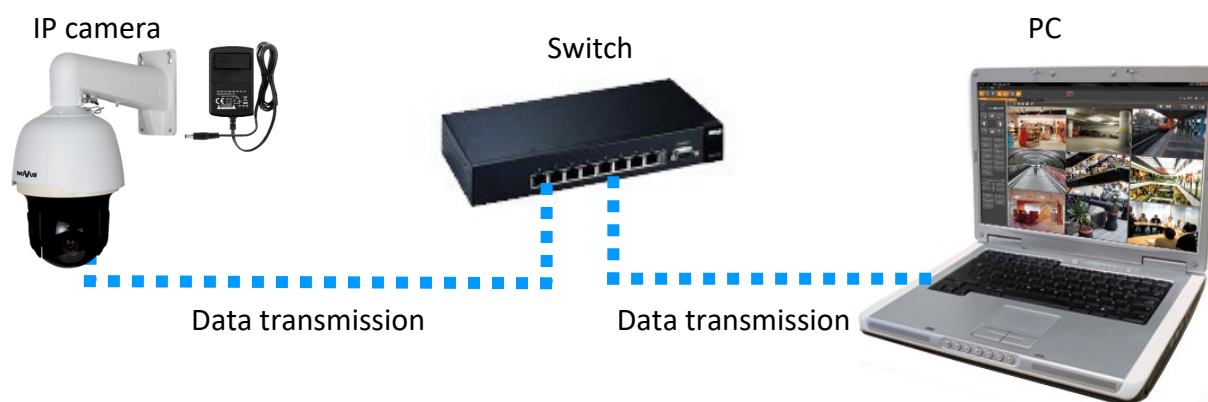
To start the camera, connect the Ethernet cable to the RJ45 network socket of the IP camera, and the other end to the network switch.

The recommended method of starting and configuring the camera is to connect it to a PC or laptop in a dedicated network switch to which there are no other devices connected. In the case of power supply from an external power supply, you can use any network switch, or connect the network cable directly to the computer. For network configuration data (IP address, gateway, netmask etc.), please contact the administrator of the network in which the device is to work.

- Connection using a PoE network switch

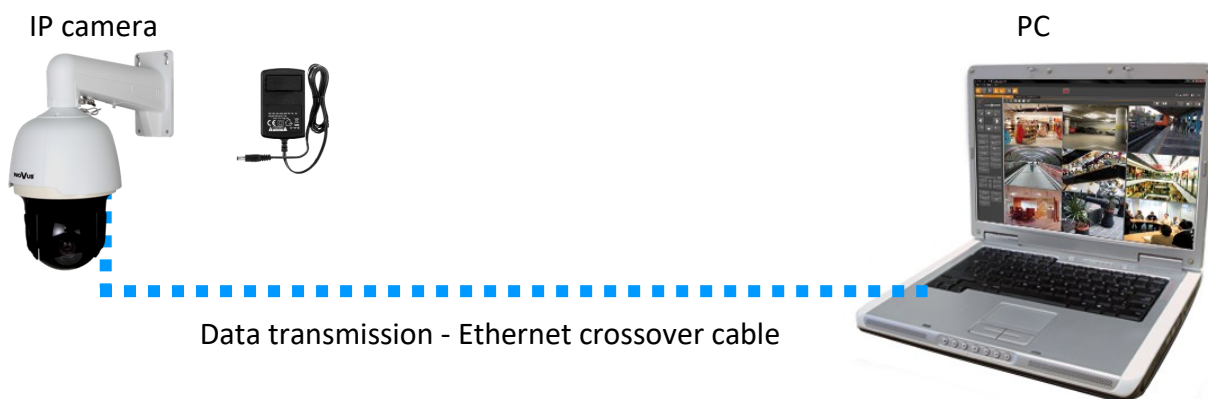


- Connection using an external AC adapter and non-PoE network switch



## START-UP AND INITIAL CONFIGURATION

- Connection using the camera's external AC adapter and direct connection to a computer



### Caution!

In order to provide protection against voltage surges/lightning strikes, usage of appropriate surge protectors is advised. Any damages resulting from surges are not eligible for service repairs.

### 2.7. Initial configuration via the web browser

The default network settings for 4000 IP camera series are :

1. IP address= **192.168.1.200**
2. Network mask - **255.255.255.0**
3. Gateway - **192.168.1.1**
4. User name - **root**
5. Password - **pass**

Knowing the camera's IP address you need to appropriately set PC IP address, so the two devices can operate in one network subnet ( e.g. for IP 192.168.1.1, appropriate address for the camera ranges from 192.168.1.2 to 192.168.1.254, for example 192.168.1.60). It is not allowed to set the same addresses for camera and PC computer

You can either set a network configuration (IP address, gateway, net mask, etc.) of NOVUS IP camera yourself or select DHCP mode (DHCP server is required in this method in target network) by using web browser or by NMS software. When you use DHCP server check IP address lease and its linking with camera MAC address to avoid changing or losing IP address during device operation or network/DHCP server breakdown. You have to remember to use a new camera IP address after changing network parameters.

After network setting configuration has been done, the camera can be connected to a target network.

## START-UP AND INITIAL CONFIGURATION

---

### 2.8. Security recommendations for network architecture and configuration

#### Caution!

Below are shown security recommendations for network architecture and configuration of CCTV systems that are connected to the Internet to reduce the risk of unauthorized interference with the system by a third party.

1. Absolutely change the default passwords and user names (if the device gives this possibility) of all applied network devices (recorders, cameras, routers, network switches, etc.) to the severely complexity password. Use lowercase and uppercase letters, numbers, and special characters if there is such possibility.
2. Depending on the available functionality in the order to restrict access to the used network devices at the administrator account level, it is recommended to configure the users accounts accordingly.
3. Do not use DMZ function (Demilitarized zone) in your router. Using that function you open the access to recorder system from the Internet on all ports, which gives possibility for an unauthorized interference with the system.

Instead of DMZ use port forwarding redirect only the ports which are necessary for the performance of the connection (detailed information about ports of communication in different models of recorders, cameras, etc. can be found in the operating instructions).

4. Use routers with firewall function and make sure it is enabled and properly configured.
5. It is recommended to change the default network communication port numbers of used devices if there is such possibility.
6. If used network devices has a UPnP feature and it is not used, turn it off.
7. If used network devices has a P2P feature and it is not used, turn it off.
8. If used network devices support HTTPS protocol for connection, it is recommended to use it.
9. If used network devices support IP filtering for authorized connections function, it is recommended to use it.
10. If used recorder has two network interfaces it is recommended to use both of them to physically separate network for cameras and network for Internet connection. The only device in the system, accessible from Internet will be recorder - there will be no physically access directly to any camera.

## NETWORK CONNECTION UTILIZING WEB BROWSER

### 3. NETWORK CONNECTION UTILIZING WEB BROWSER

#### 3.1. Recommended PC specification for web browser connections

The following requirements apply to the connection with the IP camera assuming smooth video display at the maximum resolution.

1. CPU **Intel Core i7 3GHz** or newer
2. **RAM** Memory min. **8 GB**
3. Graphic card (any **Nvidia GeForce 1GB Ram** or equivalent)
4. OS **Windows 10/11**
5. Network card **100/1000 Mb/s**

eng

#### 3.2. First connection to the camera via a web browser

Enter the IP address of the camera in the address bar of the web browser. After connection, the following will be displayed: the administrator password definition window and then the security question window, allowing you to regain access to the camera in the event of forgetting the administrator password, without the need to reset.

#### Defining the administrator password

When connecting to the camera for the first time, the administrator password definition window is displayed.

Enter the password for the administrator account in the "New Password" field, and then repeat for confirmation in the "Confirm Password" field. The strength of the password is indicated on the "Password Strength" indicator, and the requirements for its creation can be seen in the pop-up window that shows up by hovering over the question mark symbol.

The screenshot shows a web browser window titled "Password". It features three input fields: "New Password" (with a question mark icon and a red error message "Password cannot be empty!"), "Password Strength" (with a progress bar), and "Confirm Password". An "OK" button is visible at the bottom right.

## NETWORK CONNECTION UTILIZING WEB BROWSER

After defining the administrator password, the password recovery question selection window is displayed. It is possible to choose recovery using security questions or an certificate of authorization.

### Settings for recovering access using security questions

To activate the security questions, select the "Security Question Configuration" option. Then select the questions from the "Security Question" lists and enter your own answers in the "Answer" fields.



It is obligatory to answer all the questions. Selected questions and answers should be stored in a place protected against unauthorized access. After saving the answers, they cannot be changed, and giving new ones is possible after restoring the factory settings.

Since the camera does not analyze the sense of the answer, but only remembers it, it can be any string of characters. The same answer can be given to each of the questions.

### Settings for recovering access using certificate of authorization

To activate the authorization certificate, select the "Certificate of authorization" option. Then press the "Export" button, which will create and save a txt file with the code on your computer's disk.



The certificate should be stored in a location that is protected from unauthorized access. Once the certificate is created, it cannot be changed, and a new one can be generated after restoring factory settings.

After making the necessary changes, save them by pressing the "OK" button. The camera confirms the correctness of the operations by displaying a confirmation window. After pressing the "OK" button in the confirmation window, the login window to the web panel of the camera is displayed.

## NETWORK CONNECTION UTILIZING WEB BROWSER



It is not mandatory to activate security questions. This step can be skipped by pressing the "OK" button without selecting "Security Question Configuration", or by pressing the "Cancel" button. However, in this case, the password recovery option is not available and the only way to restore access to the camera in case the password is lost is to use the button reset.

### Administrator password recovery

To regain access to the camera if you forget the password, click on the "Password recovery settings" link in the lower right corner of the login window.



The "Password recovery settings" link only appears if one of the recovery options was activated when defining the administrator password. If you bypassed the activation of the security questions, the link does not appear and the only way to restore access to the camera is via reset button.

A password recovery window will be displayed, in which you should select a password recovery method in the "Verification mode" option. After selecting "Security question verification", enter the answers provided during configuration in the appropriate fields, and then set a new password.

After selecting "Certificate of authorization", import the previously created certificate file and then set a new password.

### Login to the camera

To log in to the camera, enter the administrator account name and password in the login window.

If we are working in the Edge browser switched to Internet Explorer mode, the browser may ask to install the "SurveillancePluginV2.exe" plug-in, necessary to display video (this message appears if the system was not previously installed the plug-in or if the plug-in is present, but it is in the wrong version).

In this case, click on the "Click to install or go to the product card on the Novus website and download the plugin" link and follow the installer's instructions. After the installation is complete, refresh the browser window. After these steps, the camera image should appear in the live view window.



When using a browser that uses the HTML5 protocol (like Firefox, Chrome, Opera, Safari) there is no need to install any add-ons and after logging in, the image will be displayed in the live preview window.

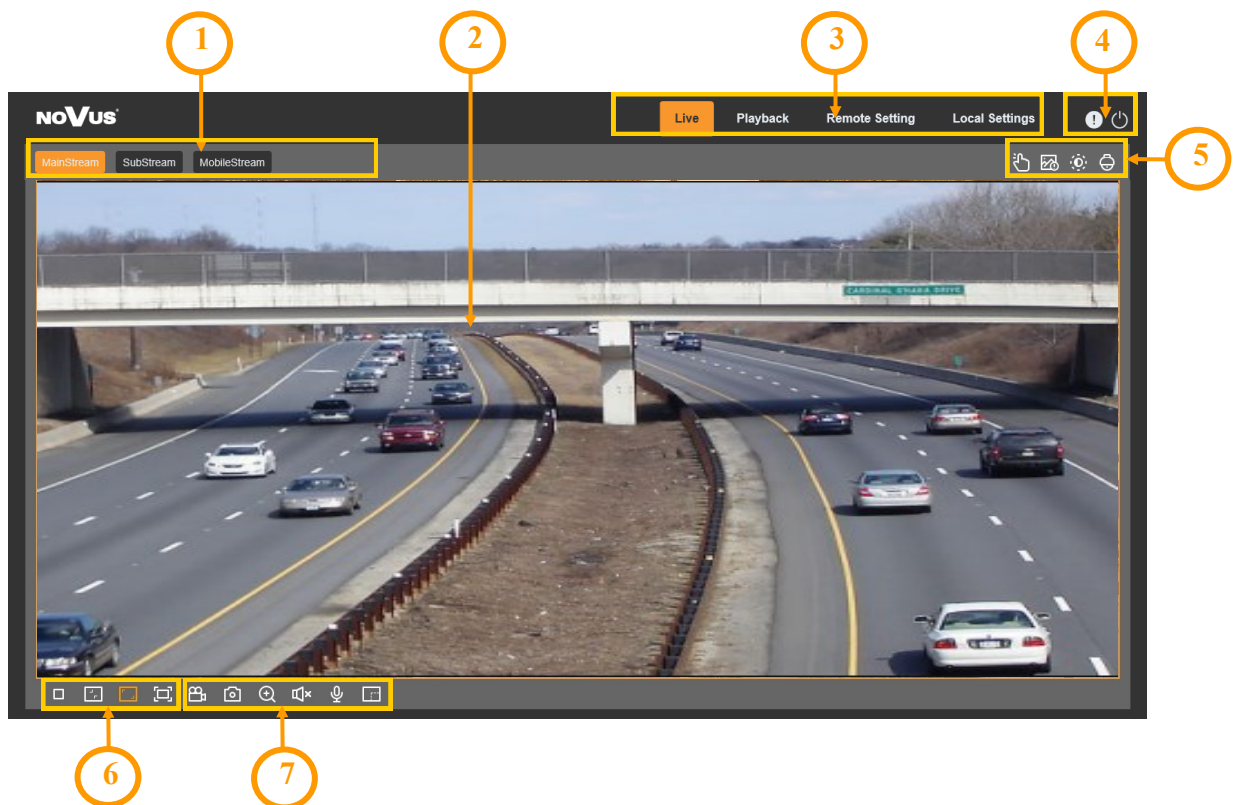
## WEB INTERFACE - WORKING WITH THE CAMERA

### 4. WEB INTERFACE - WORKING WITH THE CAMERA

#### 4.1. The remote preview interface



The view below shows the remote viewing window displayed in the Edge browser switched to Internet Explorer mode, with the "NetAIIPCamera" add-on installed. When connecting to the camera from browsers that use HTML5, some menu items and/or options may be unavailable or limited. This is not a defect, but results from the specificity of the HTML5 standard.



1. Selection of the stream to be displayed in the preview.

2. Live view window.

Double-clicking the left mouse button on the preview window turns the display of the image on and off in full screen.

3. Camera operation mode selection and configuration buttons:

Live - enables the live stream preview

Playback - displays the panel for playing back recordings from the memory card

Remote Setting - displays the camera configuration panel

Local Setting - displays a panel for configuring access paths to dump folders

4. Camera access icons. From left: displays information about the logged in user and applet version, logging out of the camera



## WEB INTERFACE - WORKING WITH THE CAMERA

5. Displays side information and control panels:



From left: turns on manual alarm output control panel, turns on image analytics event alarm display panel, turns on image adjustment panel, turns on PTZ panel

6. Image control buttons:



From left: turns live preview on and off, sets original image proportions, fits image to browser window, turns on full screen

6. Icons controlling additional functions:



From the left: turns on and off recording of the video stream on the computer's disk, saves a snapshot on the computer's disk, turns on and off digital zooming of a fragment of the image, turns on and off audio playback, turns on and off the intercom, turns on and off the pixel counter (displays the size of the selected area)

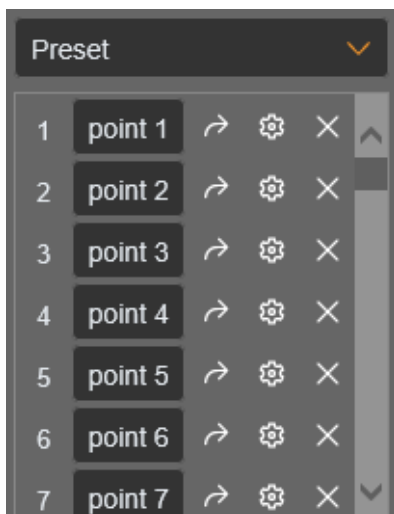
### PTZ panel

The PTZ panel includes the following controls:




- PTZ head movement control buttons:** A circular directional pad with a central refresh icon for controlling camera pan and tilt.
- Adjusting the speed of the PTZ head movement:** A horizontal slider to control the movement speed.
- Lens control buttons, from left: zoom-, zoom+, focus-, focus+:** Four buttons for adjusting the camera's lens.
- Camera function control, from left: 3D PTZ control, autofocus, reset all PTZ functions, 360° scan:** A row of four buttons for advanced camera functions.
- Displays the PTZ functions configuration panels:** A 'Mode' dropdown menu at the bottom.

## WEB INTERFACE - WORKING WITH THE CAMERA

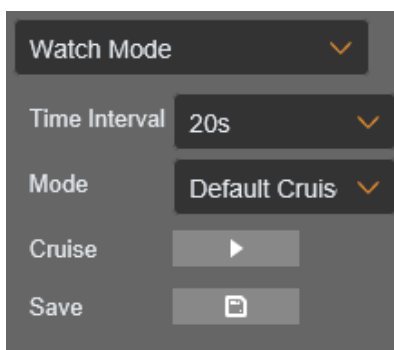
Preset list options:



The preset list displays all available presets. Saved (occupied) presets are marked in light gray. Each preset has icons for management:

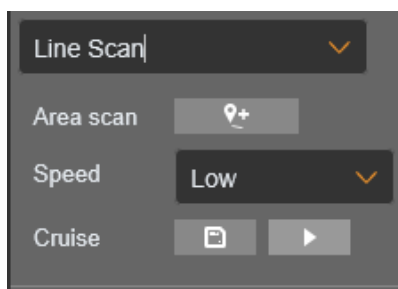
-  - saves the current position of the camera PTZ dome as a preset. If there is already a preset stored in the selected position, it will be overwritten.
-  - calls up the selected preset
-  - removes the selected preset

Idle Function Options:



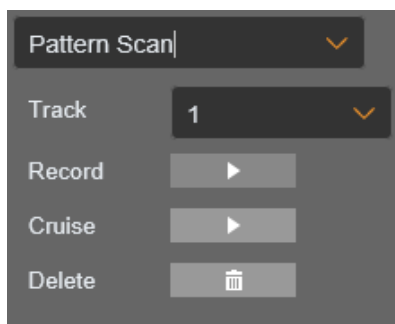
The Idle function allows you to trigger the selected PTZ function after a set time period during which the camera does not perform any PTZ action.

Scanning function options:



After saving the start and end points, the camera performs a cyclic scan of the selected part of the field of view. Scanning takes place only in the horizontal plane, at one zoom value.

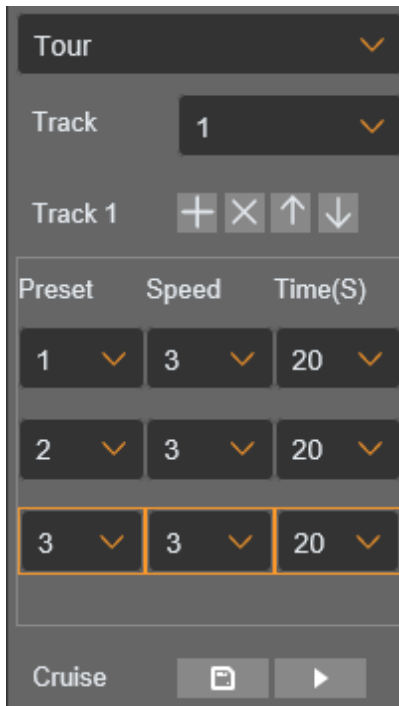
Pattern Function options:



This function allows you to record the movements of the PTZ head performed by the operator. The path recording starts and stops by pressing the button next to the "Record" option. Pressing the button next to the "Cruise" option starts and stops the path. Up to 4 paths can be recorded.

## SD CARD INSTALLATION

Observation route list options:



The Tour function allows you to manage observation routes. You can create up to 4 routes.

The buttons **+** **X** **↑** **↓** allow you to manage route presets, respectively: adding, removing, moving up and down the preset list. On the preset list, you can change the speed of movement between presets, and the time spent in each of them. After you have finished creating the route, save the changes with the floppy disk button. The button visible next to it starts and stops the route.

eng

## 5. SD CARD INSTALLATION

In order to install the card:

- Turn off the camera's power
- Remove the PTZ head cover
- Remove the cover covering the rear part of the PTZ head
- Install the SD card in the appropriate slot (described in the figure on the next page)
- Attach the cover, paying attention to the correct positioning of the gasket
- Turn on the camera
- Go to the "Remote Setting -> Device -> HDD" tab and format the card

## 6. RESTORE FACTORY SETTINGS

### 6.1. Software restore of factory settings

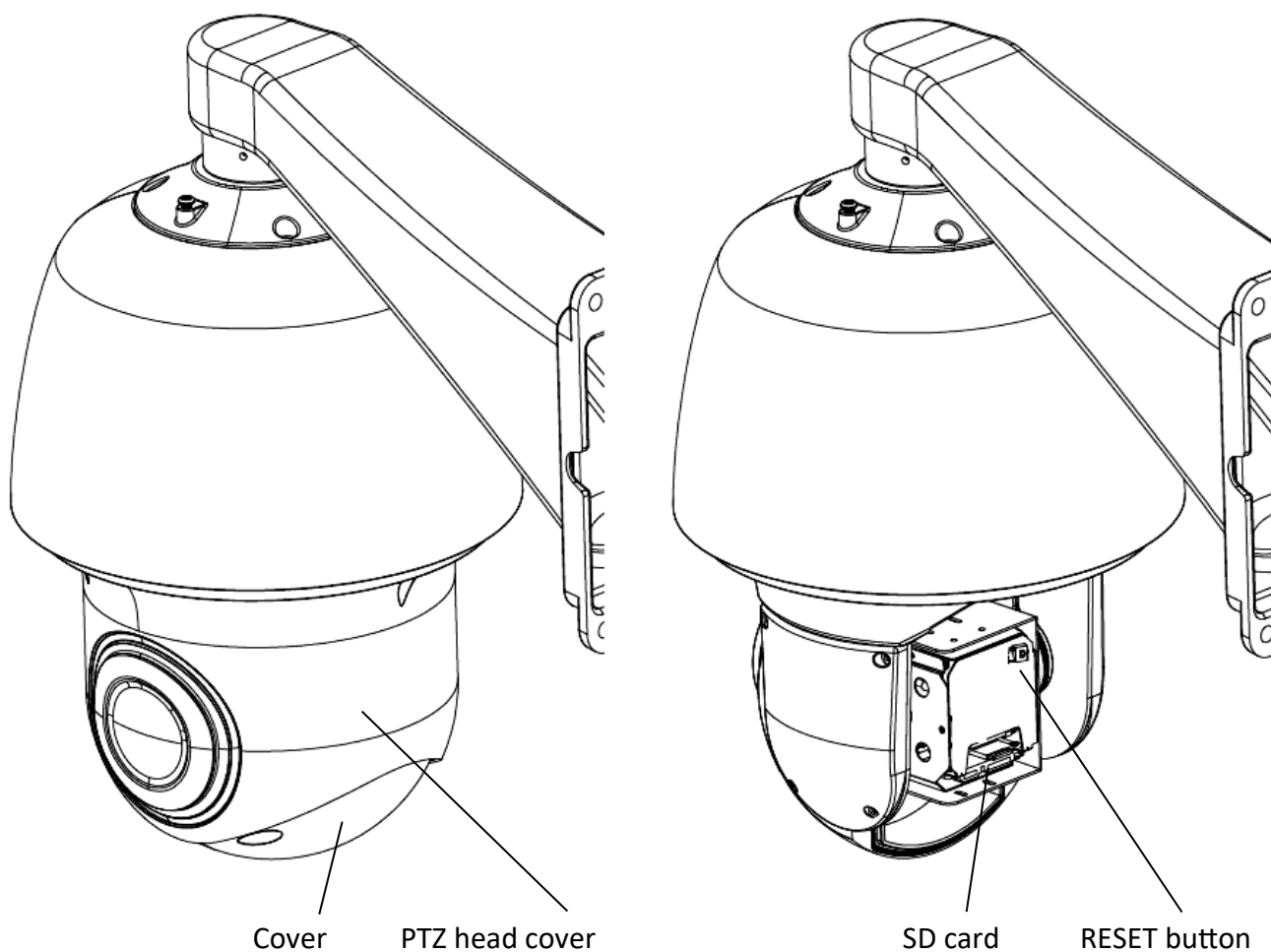
The option to restore factory settings is located in the "Remote Setting -> System -> Maintain -> Load Default" tab. Restoring the camera's factory settings returns the camera settings to the factory values. Unchecking the selected option allows you to keep the settings in a given configuration unchanged.

## RESTORING FACTORY SETTINGS

### 6.2. Hardware restore of factory settings

To hardware restore the camera to its factory settings, follow the instructions:

- Remove the PTZ head cover
- Remove the cover covering the rear part of the PTZ head
- Press the RESET button (described in the figure below) and hold for about 10 seconds
- Release the button
- Wait until the camera starts (finishes positioning the head)
- Fix the cover, paying attention to the correct positioning of the gasket
- Log in again using the default IP address, username and password





**noVus<sup>®</sup>**

**AAT SYSTEMY BEZPIECZEŃSTWA Sp. z o.o.**

431 Pulawska St., 02-801 Warsaw, Poland

tel.: +4822 546 0 546, kontakt@aat.pl

[www.novuscctv.com](http://www.novuscctv.com)

# Skrócona instrukcja obsługi



**NVIP-5SD-4550/33/F**

**noVus<sup>®</sup>**

## UWAGI I OSTRZEŻENIA

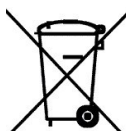
---

---

### PRODUKT SPEŁNIA WYMAGANIA ZAWARTE W DYREKTYWACH:



**DYREKTYWA PARLAMENTU EUROPEJSKIEGO I RADY 2014/30/UE z dnia 26 lutego 2014 r.** w sprawie harmonizacji ustawodawstw państw członkowskich odnoszących się do kompatybilności elektromagnetycznej (Dz.U. L 096 z 29.3.2014, s. 79-106, z późniejszymi zmianami) – zwana Dyrektywą EMC.



**DYREKTYWA PARLAMENTU EUROPEJSKIEGO I RADY 2012/19/UE z dnia 4 lipca 2012 r.** w sprawie zużytego sprzętu elektrycznego i elektronicznego WEEE (Dz.U. L 96 z 29.3.2014, str. 79-106, z późniejszymi zmianami) – zwana Dyrektywą WEEE.



**DYREKTYWA PARLAMENTU EUROPEJSKIEGO I RADY 2011/65/UE z dnia 8 czerwca 2011 r.** w sprawie ograniczenia stosowania niektórych niebezpiecznych substancji w sprzęcie elektrycznym i elektronicznym (Dz.U. L 174 z 1.7.2011, str. 88-110, z późniejszymi zmianami) - zwana Dyrektywą RoHS.

**DYREKTYWA DELEGOWANA KOMISJI (UE) 2015/863 z dnia 31 marca 2015 r.** zmieniająca załącznik II do dyrektywy Parlamentu Europejskiego i Rady 011/65/UE w odniesieniu do wykazu substancji objętych ograniczeniem (Dz. U. z 3 stycznia 2017).

**DYREKTYWA PARLAMENTU EUROPEJSKIEGO I RADY (UE) 2017/2102 z dnia 15 listopada 2017 r.** zmieniająca dyrektywę 2011/65/UE w sprawie ograniczenia stosowania niektórych niebezpiecznych substancji w sprzęcie elektrycznym i elektronicznym (Dz. U. z 10 lipca 2019).

### Wyłączenie odpowiedzialności w przypadku uszkodzenia danych zawartych na dyskach lub innych urządzeniach lub nośnikach:

Producent nie ponosi odpowiedzialności w razie uszkodzenia lub utraty w trakcie eksploatacji Produktu danych zawartych na dyskach lub innych urządzeniach lub nośnikach.

### Obowiązek konsultowania się z Producentem przed wykonaniem czynności nieprzewidzianej instrukcją obsługi albo innymi dokumentami:

Przed wykonaniem czynności, która nie jest przewidziana dla danego Produktu w instrukcji obsługi, innych dokumentach dołączonych do Produktu lub nie wynika ze zwykłego przeznaczenia Produktu, należy, pod rygorem wyłączenia odpowiedzialności Producenta za następstwa takiej czynności, skontaktować się z Producentem.



Zamieszczone w niniejszej publikacji zdjęcia przedstawiające obrazy z kamer mogą być symulacjami. Rzeczywiste obrazy z kamer mogą się różnić, w zależności od typu, modelu, ustawień, obszaru obserwacji lub warunków zewnętrznych.



## WARUNKI BEZPIECZEŃSTWA



Przed rozpoczęciem użytkowania urządzenia, należy zapoznać się z instrukcją obsługi w celu zapewnienia właściwej i bezpiecznej pracy urządzenia. Nieprzestrzeganie instrukcji może prowadzić do uszkodzenia urządzenia i/lub naruszenia bezpieczeństwa użytkownika.



Użytkownik nie może dokonywać samodzielnych napraw urządzenia. Naprawy i konserwację urządzenia mogą być wykonywane wyłącznie przez wykwalifikowanych pracowników serwisu.



Urządzenie będące elementem profesjonalnego systemu telewizji dozorowej służącego do nadzoru i kontroli, nie jest przeznaczone do samodzielnego montażu w gospodarstwach domowych, przez osoby nie posiadające specjalistycznej wiedzy.

1. Przed zainstalowaniem i rozpoczęciem eksploatacji należy dokładnie zapoznać się z niniejszą instrukcją obsługi;
2. Instrukcję należy przechowywać przez czas eksploatacji urządzenia na wypadek konieczności odniesienia się do zawartych w niej treści;
3. Należy przestrzegać wymogów bezpieczeństwa opisanych w instrukcji, gdyż mają one bezpośredni wpływ na bezpieczeństwo użytkowników i trwałość oraz niezawodność urządzenia;
4. Wszystkie czynności wykonywane przez instalatorów i użytkowników muszą być realizowane zgodnie z opisem zawartym w instrukcji;
5. Podczas przeprowadzania czynności konserwatorskich urządzenie musi być odłączone od zasilania;
6. Nie wolno stosować żadnych dodatkowych urządzeń, podzespołów lub akcesoriów nie przewidzianych i nie zalecanych przez producenta;
7. Nie należy instalować tego urządzenia w miejscach, gdzie nie można zapewnić właściwej wentylacji (np. zamknięte szafki, itp.), gdyż może to powodować kumulowanie się ciepła i w konsekwencji może doprowadzić do uszkodzenia;
8. Nie wolno umieszczać urządzenia na niestabilnych powierzchniach. Instalacja musi być przeprowadzona przez wykwalifikowany personel o odpowiednich uprawnieniach według zaleceń podanych w niniejszej instrukcji;
9. Urządzenie może być zasilane jedynie ze źródeł o parametrach zgodnych ze wskazanymi przez producenta w danych technicznych;



Ponieważ produkt jest stale ulepszany i optymalizowany, niektóre jego parametry i funkcje mogły ulec zmianie w stosunku do opisanych w niniejszej instrukcji. W razie wątpliwości prosimy o zapoznanie się z instrukcją obsługi znajdującą się na stronie [www.novuscctv.com](http://www.novuscctv.com)

Instrukcja obsługi znajdującą się na stronie [www.novuscctv.com](http://www.novuscctv.com) jest zawsze najbardziej aktualną wersją.

## INFORMACJE WSTĘPNE

### 1. DANE TECHNICZNE

<b>OBRAZ</b>	
Przetwornik obrazu	5 MPX, matryca CMOS, 1/2.7", OmniVision
Liczba efektywnych pikseli	2688 (H) x 1944 (V)
Czułość	0.003 lx/F1.6 - tryb kolorowy, 0 lx (IR wł.) - tryb czarno-biały
Elektroniczna migawka	automatyczna/manualna: 1/5 s ~ 1/20000 s
Wydłużona migawka (DSS)	do 1/5 s
Szeroki zakres dynamiki (WDR)	tak (podwójne skanowanie przetwornika), 120dB
Cyfrowa redukcja szumu (DNR)	2D, 3D
Redukcja efektu oślepienia kamery (HLC)	tak
Kompensacja tylnego światła (BLC)	tak
<b>OBIEKTYW</b>	
Zoom optyczny	33x
Typ obiektywu	motor-zoom z automatyczną przysłoną, f=4.3 ~ 142 mm/F1.6 ~ F4.3
Auto-focus	po zmianie krotności zoomu, przy przełączaniu pomiędzy trybami dzień/noc, wyzwalany ręcznie
<b>DZIEŃ/NOC</b>	
Rodzaj przełączania	mechaniczny filtr podczerwieni
Tryb przełączania	automatyczny, manualny, czasowy
Regulacja poziomu przełączania	tak
Czujnik światła widzialnego	tak
<b>SIEĆ</b>	
Rozdzielczość strumienia wideo	2592 x 1520, 2592 x 1944, 2304 x 1296, 1920 x 1080 (Full HD), 2048 x 1536 (QXGA), 1280 x 960, 1280 x 720 (HD), 640 x 480 (VGA), 320 x 240 (QVGA)
Prędkość przetwarzania	30 kl/s dla wszystkich rozdzielczości
Tryb wielostrumieniowy	3 strumienie (główny, pomocniczy, dodatkowy)
Kompresja wideo/audio	H.264, H.264+, H.265, H.265+, MJPEG / G.711
Liczba jednoczesnych połączeń	maks. 3 połączeń, (maks. 14 strumieni łącznie)
Przepustowość	łącznie 40 Mb/s
Obsługiwane protokoły sieciowe	HTTP, TCP/IP, IPv4/v6, UDP, HTTPS, FTP, DHCP, DNS, DDNS, NTP,
Konfiguracja kamery	z poziomu przeglądarki Edge, Firefox, Chrome, Opera języki: polski, angielski, i inne
Kompatybilne oprogramowanie	NOVUS MANAGEMENT SYSTEM VSS, NOVUS MANAGEMENT SYSTEM AC, N Control 4000
Aplikacje mobilne	RxCamView (iPhone, Android)

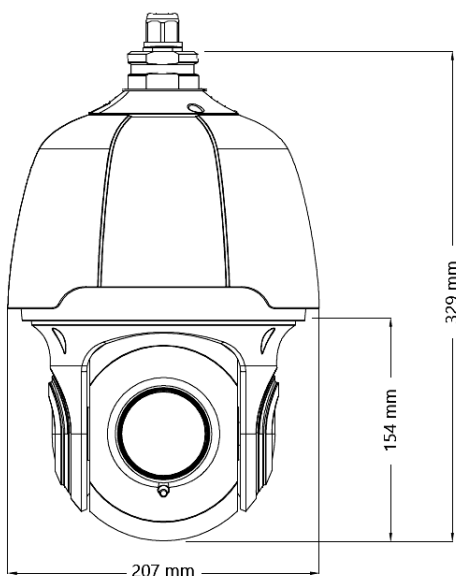
## INFORMACJE WSTĘPNE

<b>PTZ</b>	
Presety	255
Patrole	4 (do 32 presetów na patrol)
Trasy obserwacji	4 (maks. 512 poleceń dla jednej trasy)
Zakres obrotu w pionie/poziomie	-10° ~ 90°/360° (obrót ciągły)
Prędkość obrotu w pionie/poziomie	do 200°/s (proporcjonalna do zoom'u)
Prędkość pomiędzy presetami	do 200°/s
<b>POZOSTAŁE FUNKCJE</b>	
Zabezpieczenia	szyfrowanie wideo, obsługa IEEE 802.1X, obsługa HTTPS, filtrowanie adresów MAC/IP, wymuszenie zmiany hasła domyślnego
Strefy prywatności	6 typu kolor
Detekcja ruchu	tak
Detekcja Audio	tak
Analiza obrazu	automatyczne śledzenie obiektów (Auto Tracking) powiązane z funkcjami analizy obrazu, sabotaż, pozostawienie obiektu, zniknięcie obiektu, przekroczenie linii, wkroczenie do strefy, wyjście ze strefy, naruszenie strefy, detekcja tłumy, zliczanie przekroczeń linii, mapa ciepła, detekcja długości kolejki, rozróżnianie obiektów, porównywanie twarzy, detekcja ruchu Smart z rozróżnianiem obiektów
Obróbka obrazu	obrót obrazu o 180°, wyostrzanie, odbicie lustrzane
Prealarm/postalarm	do 6 s/do 30 s
Reakcja na zdarzenia alarmowe	e-mail z załącznikiem, zapis na FTP, zapis na kartę SD, aktywacja wyjścia alarmowego, powiadomienie HTTP, śledzenie obiektu
Przywracanie ustawień fabrycznych	z poziomu przeglądarki internetowej, za pomocą przycisku reset
<b>ROZPOZNAWANIE NUMERÓW TABLIC REJESTRACYJNYCH (LPR)</b>	
Autonomiczny tryb pracy	tak - funkcja rozpoznawania zaimplementowana w kamerze
Pojemność bazy zdefiniowanych tablic	do 10000 tablic, łącznie na wszystkich listach.
Rodzaj rozpoznawanych tablic	wszystkie państwa Unii Europejskiej
Obsługa szlabanu	tak - wbudowane wyjście alarmowe (przełącznikowe)
Zalecana maksymalna prędkość pojazdu	do 60 km/h
Dane rejestrowane w bazie kamery	numer rozpoznanej tablicy rejestracyjnej
Reakcje na rozpoznanie tablicy	e-mail z załącznikiem, zapis pliku na FTP, aktywacja wyjścia
<b>OŚWIETLACZ IR</b>	
Liczba LED	10
Zasięg	do 150 m (zależny od aktualnej wartości zoomu optycznego)
Smart IR	tak (wsparcie sprzętowe)

## INFORMACJE WSTĘPNE

INTERFEJSY	
Wyjście wideo	BNC, 1.0 Vp-p, 75 Ohm
Wejścia/wyjścia audio	1/1
Wejścia/wyjścia alarmowe	1 (NO/NC) / 1 typu przekaźnik (maks. 12VDC/300mA)
Interfejs sieciowy	1 x Ethernet - złącze RJ-45, 10/100 Mbit/s
Gniazdo kart pamięci	microSD - pojemność do 256GB
PARAMETRY INSTALACYJNE	
Wymiary (mm)	207 (Φ) x 329 (wys.) z uchwytem: 207 (szer.) x 398 (wys.) x 374 (dł.)
Masa	3.7 kg z uchwytem: 4.7 kg
Klasa szczelności	IP 66 (szczegóły w instrukcji obsługi na str. 9)
Obudowa	aluminiowa, w kolorze białym, w zestawie: obudowa zewnętrzna (zintegrowana z kamerą), uchwyt ścienny
Zasilanie	12 VDC, PoE+ (IEEE 802.3at, Klasa 4)
Pobór mocy	14 W, 25 W (oświetlacz IR wł.)
Temperatura pracy	-30°C ~ 60°C
Temperatura zimnego startu	-35°C
Wilgotność	maksymalnie 90%, względna (bez kondensacji)

### 1.1. Wymiary kamery



### 1.2. Zawartość opakowania

Po otwarciu należy upewnić się czy w opakowaniu znajdują się następujące elementy:

- Kamera IP
- Uchwyt ścienny
- Torebka z akcesoriami montażowymi
- Skrócona instrukcja obsługi.

Jeżeli którykolwiek z elementów został uszkodzony w transporcie, należy spakować zawartość z powrotem do oryginalnego opakowania i skontaktować się z dostawcą.

## URUCHAMIANIE I WSTĘPNA KONFIGURACJA

### Uwaga:

Jeżeli urządzenie przyniesione zostało z pomieszczenia o niższej temperaturze należy odczekać aż osiągnie temperaturę pomieszczenia, w którym ma pracować. Nie wolno włączać urządzenia bezpośrednio po przyniesieniu z chłodniejszego miejsca. Kondensacja zawartej w powietrzu pary wodnej może spowodować zwarcia i w konsekwencji uszkodzenie urządzenia.

## 2. URUCHAMIANIE I WSTĘPNA KONFIGURACJA

Przed uruchomieniem urządzenia należy zapoznać się z opisem i rolą poszczególnych wejść, wyjść oraz elementów regulacyjnych, w które wyposażone są kamery.

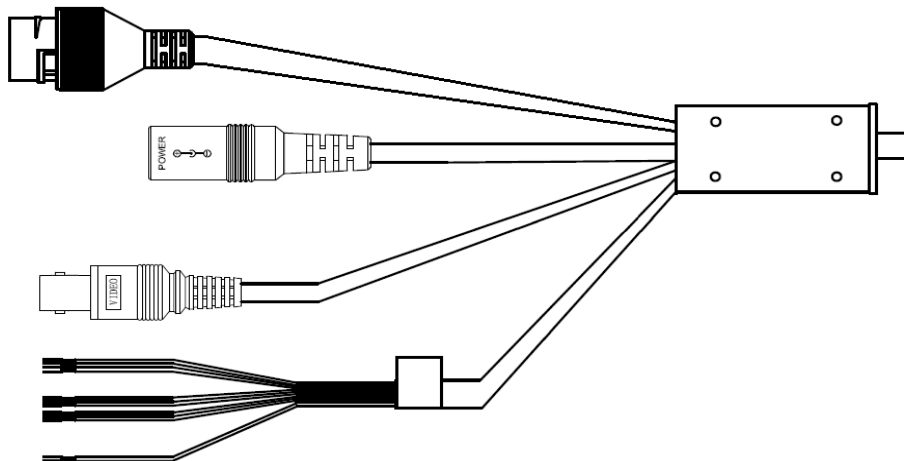
### 2.1. Opis złączy elektrycznych kamery

1. Port Ethernet 100 Mb/s

2. Złącze zasilania kamery

3. Wyjście wideo

4. Wejście/wyjście alarmowe i wejście/wyjście audio



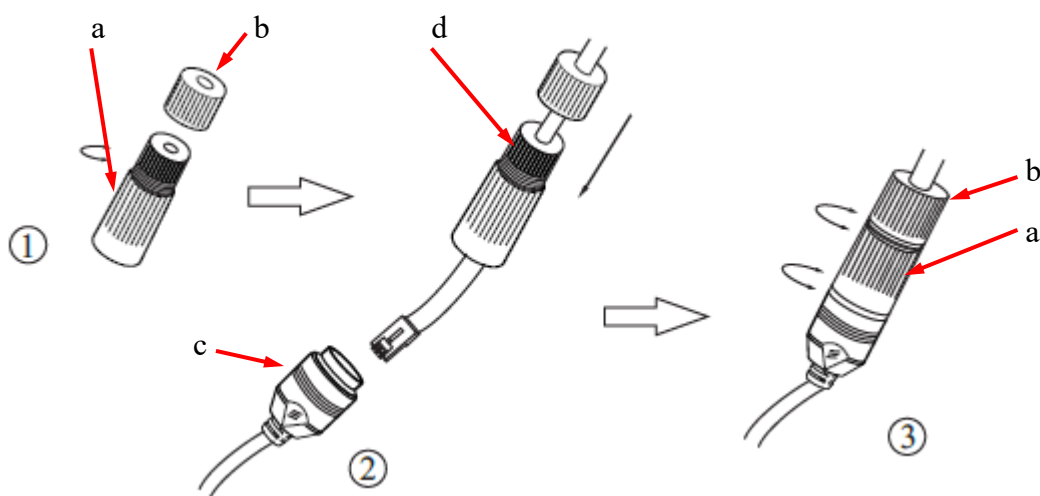
Nr	Typ złącza	Funkcja	Opis
1	gniazdo RJ45	Port Ethernet	Złącze Ethernet 100Mb/s
2	gniazdo 2.5/5.5 oznaczenie gniazda: „POWER”	złącze zasilania kamery	Zasilanie kamery, 12VDC
3	gniazdo typu BNC	Wyjście wideo	Analogowe wyjście wideo
4	Przewody wejścia/wyjścia alarmowego i wejścia/wyjścia audio	SZARY wyjście alarm.	Wyjście alarmowe, NO (przełącznikowe, 12VDC/24VAC 0.3A maks.)
		ZIELONY wyjście alarm. wspólny	
		NIEBIESKI wejście alarm.	Wejście alarmowe, konfigurowalne: NC lub NO. Aktywowanie wejścia odbywa się przez zwarcie wyprowadzeń
		BIAŁO/NIEBIESKI wejście alarm. masa	
		RÓŻOWY wejście audio	
		BIAŁO/ŻÓŁTY wyjście audio	
		FIOLETOWY masa audio	Masa kamery
ŻÓŁTO/ZIELONY masa			

## URUCHAMIANIE I WSTĘPNA KONFIGURACJA

### 2.2. Podłączenie kabla sieciowego

Aby zachować pewność połączenia kabla sieciowego należy postępować zgodnie z poniższą instrukcją:

1. Odkręcić nakrętkę (b) od osłony złącza (a), założyć pierścień uszczelniający na gniazdo (c)
2. Poprowadzić kabel sieciowy przez elementy (a) i (b). Włożyć wtyczkę RJ-45 do gniazda (c)
3. Nakręcić osłonę złącza (a) na gniazdo (c). W górną część osłony złącza (a) wcisnąć do oporu uszczelkę kabla (d) - uszczelka ma przecięcie umożliwiające założenie na przewód.
4. Dokręcić do oporu nakrętkę (b)



### 2.3. Podłączenie zasilania

Kamerę można zasilić z dostępnego na rynku zasilacza prądu stałego, pod warunkiem spełnienia przez niego wymogów technicznych kamery. Zasilacz musi dostarczać stabilizowanego napięcia stałego o wartości 12V, musi pozwalać na pobór co najmniej 30W mocy, oraz posiadać wtyk zasilający walcowy DC 2.5/5.5 o właściwej polaryzacji styków:



Możliwe jest także zasilanie kamery przez gniazdo sieciowe RJ45, przy wykorzystaniu technologii PoE+ (IEEE 802.3at, Klasa 4).

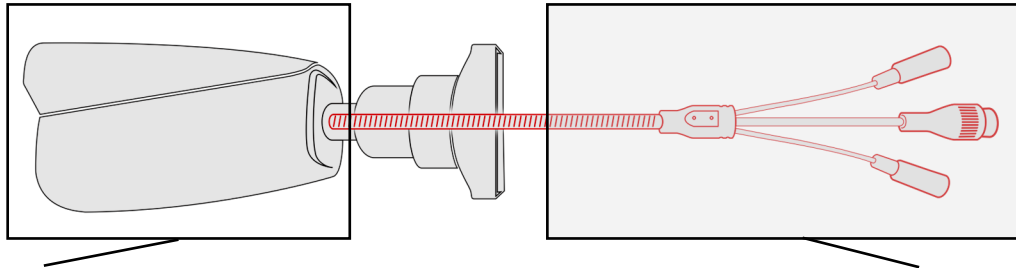
#### Uwaga!

**Zabronione jest stosowanie jako źródło zasilania kamery urządzeń (zasilacze, adaptory itp.) PoE niezgodnych ze standardem IEEE 802.3at, potocznie nazywanych „pasywne zasilacze PoE”. Uszkodzenia wynikłe ze stosowania nieodpowiednich źródeł zasilania nie podlegają gwarancji.**

## URUCHAMIANIE I WSTĘPNA KONFIGURACJA

### 2.4 Zabezpieczenie przed wnikaniem wody

Deklarowana klasa szczelności kamery dotyczy jej obudowy, złącz kabli połączeniowych na obudowie (jeśli występują) i/lub miejsca wejścia kabli połączeniowych do wnętrza obudowy (jeśli występują), pod warunkiem prawidłowego podłączenia kabli połączeniowych oraz wykonania prawidłowego montażu zgodnie z procedurą podaną w punkcie 2.5 instrukcji. Zabezpieczenie elementów, które tego wymagają, przed dostępem wilgoci jest obowiązkiem osoby instalującej kamerę.



Obszar zabezpieczony przed dostępem wody

Rysunek poglądowy

Obszar wymagający uszczelnienia podczas instalacji

Producent nie ponosi odpowiedzialności za wszelkie szkody, uszkodzenia kamery powstałe w skutek niedopełnienia w/w obowiązku co jednocześnie oznacza, iż nie podlegają one naprawom gwarancyjnym.

Znajdująca się w akcesoriach kamery (w zależności od wersji/modelu) osłona gniazda RJ-45 nie jest elementem zabezpieczającym przed wnikaniem wody. Zadaniem tego elementu jest ochrona przed wnikaniem do gniazda pyłów i wilgoci atmosferycznej oraz zapobieganie przypadkowym rozłączeniom przez mechaniczne stabilizowanie wtyku sieciowego w gnieździe RJ-45.

### 2.5. Naścienny montaż kamery

#### A. Przygotowanie miejsca montażu:

1. Przyłożyć szablon montażowy (lub stopę uchwytu ściennego) do powierzchni na której ma zostać zamocowana kamera i używając go jako wzornika zaznaczyć punkty wiercenia.
2. Wywiercić w zaznaczonych miejscach otwory, włożyć kołki rozporowe.
3. Wywiercić otwór pod przewody w miejscu podłączenia (w miarę potrzeby).
4. Wkręcić dwa wkręty w górne otwory tak, by wystawały na około 15 mm.

#### B. Przygotowanie kamery:

1. Przeciągnąć przewody przez uchwyt ścienny.
2. Zamocować uchwyt do kamery i zapiąć linkę zabezpieczającą do ucha w uchwycie.

#### C. Montaż kamery:

1. Podłączyć przewody elektryczne.
2. Zawiesić kamerę wraz z uchwytem na dwóch górnych wkrętach.
3. Wkręcić dwa dolne wkręty do oporu.
4. Dokręcić do oporu górne wkręty.

## URUCHAMIANIE I WSTĘPNA KONFIGURACJA

### Uwaga!

Należy zwrócić szczególną uwagę, aby powierzchnia do której mocowana jest kamera miała odpowiednią nośność.

### Uwaga!

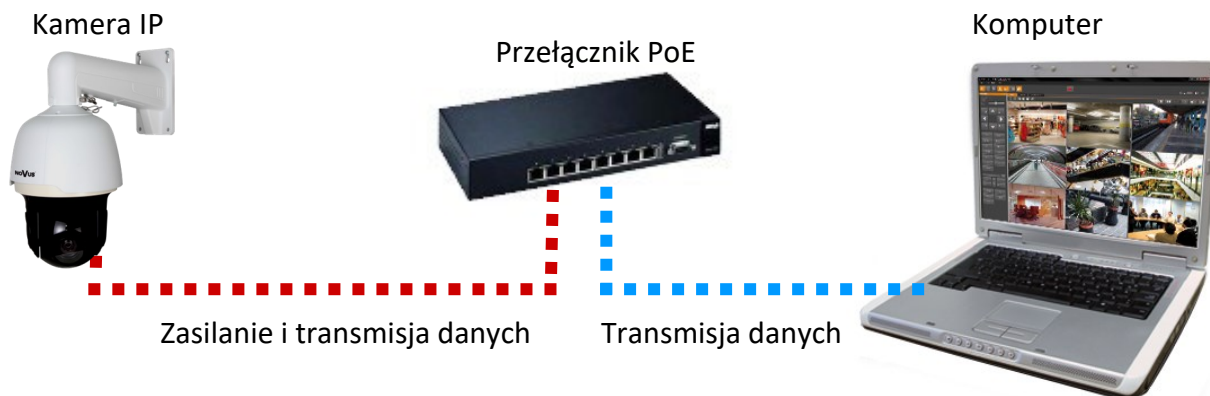
Zalecany jest montaż kamery z wykorzystaniem jednego z dedykowanych adapterów. Użycie adaptera pozwala na estetyczne wykonanie montażu kamery, ułatwia późniejsze serwisowanie oraz zapewnia zabezpieczoną przed dostępem wody przestrzeń do ukrycia przewodów.

### 2.6. Uruchomienie kamery

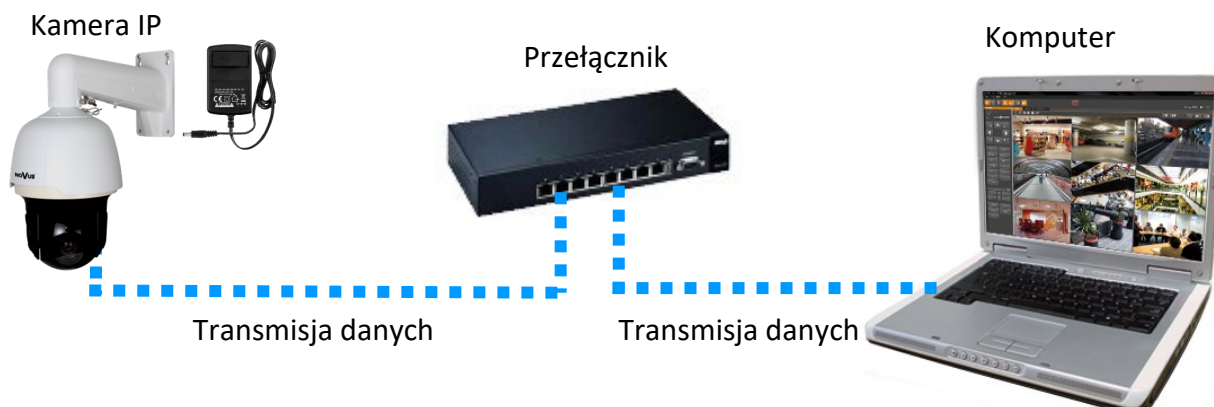
W celu uruchomienia kamery należy podłączyć kabel ethernetowy do gniazda sieciowego RJ45 kamery IP, a drugi koniec do przełącznika sieciowego.

Zalecaną metodą uruchomienia i konfiguracji kamery jest połączenie jej do komputera PC lub laptopa w wydzielonym przełączniku sieciowym, do którego nie ma podłączonych innych urządzeń. W przypadku zasilania z zewnętrznego zasilacza można zastosować dowolny przełącznik sieciowy, lub podłączyć kabel sieciowy bezpośrednio do komputera. W celu uzyskania danych potrzebnych do konfiguracji sieci (adres IP, brama, maska sieci itd.) należy skontaktować się z administratorem sieci, w której urządzenie ma pracować.

- Połączenie wykorzystujące przełącznik sieciowy PoE



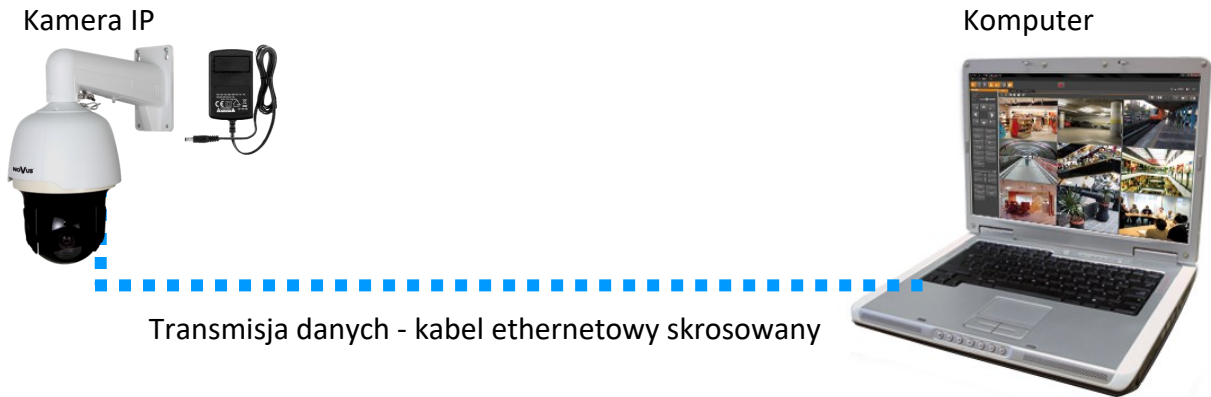
- Połączenie wykorzystujące zewnętrzny zasilacz sieciowy i przełącznik sieciowy bez funkcji PoE





## URUCHAMIANIE I WSTĘPNA KONFIGURACJA

- Połączenie z użyciem zewnętrznego zasilacza sieciowego kamery i bezpośrednim połączeniem z komputerem



### Uwaga!

W celu ochrony kamery przed uszkodzeniem zalecane jest zastosowanie zabezpieczeń przepięciowych. Awarie powstałe w wyniku przepięć nie podlegają naprawie gwarancyjnej.

### 2.7. Konfiguracja parametrów przy użyciu przeglądarki internetowej

Konfigurację sieciową kamery można przeprowadzić przy pomocy przeglądarki internetowej.

Domyślne ustawienia sieciowe dla kamer IP serii 4000 to :

1. Adres IP = **192.168.1.200**
2. Maska sieci - **255.255.255.0**
3. Brama - **192.168.1.1**
4. Nazwa użytkownika - **root**
5. Hasło - **pass**

Znając adres IP kamery należy ustawić adres IP komputera w taki sposób aby oba urządzenia pracowały w jednej podsieci (dla adresu IP kamery 192.168.1.200 jako adres IP komputera PC możemy ustawić adres z zakresu 192.168.1.0 - 192.168.1.254, np.: 192.168.1.60). Niedopuszczalne jest ustawianie adresu komputera takiego samego jak adres kamery.

Wykorzystując połączenie przez przeglądarkę internetową Internet Explorer lub oprogramowanie NMS należy ustawić docelową konfigurację sieciową (adres IP, maskę sieci, bramę, serwery DNS) lub włączyć tryb pracy DHCP pozwalający na pobranie adresu IP z serwera DHCP (wymagany jest wówczas działający serwer DHCP). W przypadku korzystania z serwera DHCP należy upewnić się co do długości okresu dzierżawy adresu IP, jego powiązania z adresem MAC kamery IP w celu uniknięcia zmiany lub utraty adresu IP w czasie pracy urządzenia lub chwilowej awarii sieci / serwera DHCP. Należy pamiętać że po zmianie adresu IP kamera zostanie zresetowana i trzeba wpisać nowy adres w przeglądarce internetowej. Po konfiguracji ustawień sieciowych pozwalających na bezkonfliktową pracę urządzenia, kamerę IP możemy podłączyć do sieci docelowej.

## URUCHAMIANIE I WSTĘPNA KONFIGURACJA

---

---

### 2.8. Zalecenia dotyczące bezpieczeństwa sieci

#### Uwaga!

Poniżej zostały przedstawione podstawowe zalecenia dotyczące budowy oraz konfiguracji systemów telewizji dozorowej podłączonych do sieci Internet, pozwalające ograniczyć ryzyko nieautoryzowanej ingerencji w system przez osoby trzecie.

1. Bezwzględnie należy zmienić domyślne hasła dostępu oraz nazwy użytkowników (jeśli dane urządzenia dają taką możliwość) wszystkich zastosowanych urządzeń sieciowych (tzn. rejestratora, kamer, routerów, przełączników sieciowych itp.) na hasła o znacznym stopniu skomplikowania. W zależności od możliwości konfiguracji danego urządzenia zaleca się, aby hasło zawierało: małe litery, wielkie litery, cyfry oraz znaki specjalne.
2. W zależności od dostępnej funkcjonalności w celu ograniczenia dostępu do zastosowanych urządzeń sieciowych na poziomie konta administratora zaleca się odpowiednią konfigurację kont użytkowników.
3. Bezwzględnie zabronione jest wykorzystywanie funkcji DMZ (Demilitarized zone - strefa zdemilitaryzowana). Zastosowanie tej funkcji otwiera dostęp do systemu od strony sieci Internet na wszystkich możliwych portach, co w znacznym stopniu ułatwia ewentualną nieautoryzowaną ingerencję w system.

Zamiast wykorzystywania funkcji DMZ należy zastosować przekierowanie portów. Przekierowane powinny zostać jedynie porty niezbędne do realizacji połączenia (szczegółowych informacji na temat portów komunikacji w poszczególnych modelach rejestratorów, kamer itp. należy szukać w instrukcjach obsługi urządzeń).

4. Należy stosować routery wyposażone w funkcję zapory sieciowej (Firewall) oraz upewnić się że funkcja jest włączona oraz odpowiednio skonfigurowana.
5. Jeśli urządzenia sieciowe posiadają taką funkcjonalność zalecana jest zmiana domyślnych numerów portów wykorzystywanych do komunikacji sieciowej.
6. Jeśli urządzenia sieciowe posiadają funkcję UPnP i nie jest ona wykorzystywana, należy ją bezwzględnie wyłączyć.
7. Jeśli urządzenia sieciowe posiadają funkcję P2P i nie jest ona wykorzystywana, należy ją wyłączyć.
8. Jeśli urządzenia sieciowe obsługują protokół HTTPS do realizacji połączeń zaleca się jego stosowanie.
9. Jeśli urządzenia sieciowe obsługują funkcję filtracji adresów IP uprawnionych do nawiązywania połączenia zaleca się jej wykorzystywanie.
10. Jeśli zastosowany rejestrator sieciowy wyposażony jest w dwa interfejsy sieciowe zaleca się odseparowanie sieci do której podłączone są kamery od sieci posiadającej połączenie internetowe. Dzięki temu urządzeniem dostępnym z poziomu sieci Internet będzie rejestrator natomiast połączenie z kamerami nie będzie możliwe.

## POŁĄCZENIA SIECIOWE ZA POMOCĄ PRZEGLĄDARKI WWW

---

---

### 3. POŁĄCZENIA SIECIOWE ZA POMOCĄ PRZEGLĄDARKI WWW

#### 3.1. Zalecana konfiguracja komputera PC do połączeń przez przeglądarkę WWW

Poniższe wymagania dotyczą połączenia z kamerą IP przy założeniu płynnego wyświetlania obrazu wideo w maksymalnej rozdzielczości i ilości klatek na sekundę.

1. Procesor **Intel Core i7 3GHz** lub wyższy
2. Pamięć **RAM min. 8 GB**
3. Karta grafiki (dowolna **Nvidia GeForce 1GB RAM** lub odpowiednik)
4. System operacyjny **Windows 10 /11**
5. Karta sieciowa **100/1000 Mb/s**

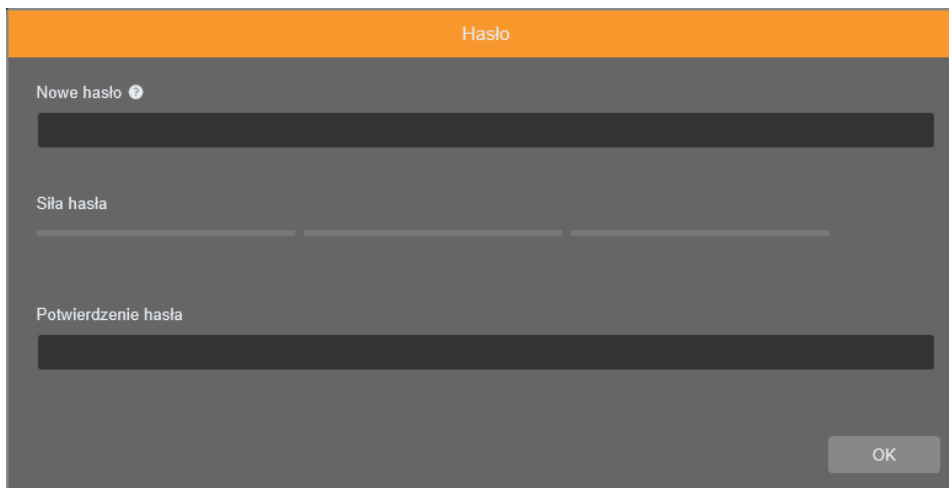
#### 3.2. Pierwsze połączenie z kamerą za pomocą przeglądarki WWW

Na pasku adresu przeglądarki WWW należy wpisać adres IP kamery. Po połączeniu wyświetlą się: okno definiowania hasła administratora a następnie okno pytań bezpieczeństwa, pozwalających odzyskać dostęp do kamery w przypadku zapomnienia hasła administratora, bez konieczności resetowania.

##### Definiowanie hasła administratora

Przy pierwszym połączeniu z kamerą wyświetli się okno definiowania hasła administratora.

W pole „Nowe hasło” („New Password”) należy wpisać, a następnie powtórzyć dla potwierdzenia w polu „Potwierdzenie hasła” („Confirm Password”), hasło dla konta administratora. Siła hasła jest wskazywana na wskaźniku „Siła hasła” („Password Strength”), a wymogi dla jego tworzenia można zobaczyć w wyskakującym okienku, widocznym po najechaniu kursorem na pole wprowadzania danych.



## POŁĄCZENIA SIECIOWE ZA POMOCĄ PRZEGLĄDARKI WWW

Po pomyślnym zdefiniowaniu hasła administratora wyświetli się okno wyboru opcji odzyskiwania dostępu do kamery. Możliwe jest wybranie odzyskiwania za pomocą pytań bezpieczeństwa lub certyfikatu autoryzacji.

### Ustawienia odzyskiwania dostępu za pomocą pytań bezpieczeństwa

Aby aktywować pytania bezpieczeństwa, należy zaznaczyć opcję „Ustawienie pytań bezpieczeństwa”. Następnie z list pytań należy wybrać pytania, a w pola odpowiedzi należy wpisać własne odpowiedzi.



Wymagane jest udzielenie odpowiedzi na wszystkie pytania. Wybrane pytania i odpowiedzi należy przechowywać w miejscu zabezpieczonym przed dostępem osób niepowołanych. Po zapisaniu odpowiedzi nie można ich zmienić, a podanie nowych jest możliwe po przywróceniu ustawień fabrycznych.

Ponieważ kamera nie analizuje sensu odpowiedzi a jedynie je zapamiętuje, może nią być dowolny ciąg znaków. Na każde z pytań można udzielić takiej samej odpowiedzi.

### Ustawienia odzyskiwania dostępu za pomocą certyfikatu autoryzacji

Aby aktywować certyfikat autoryzacji, należy zaznaczyć opcję „Certyfikat autoryzacji”. Następnie należy nacisnąć przycisk „Eksport”, co spowoduje utworzenie i zapisanie na dysku komputera pliku txt z kodem.



Certyfikat należy przechowywać w miejscu zabezpieczonym przed dostępem osób niepowołanych. Po utworzeniu certyfikatu nie można go zmienić, a wygenerowanie nowego jest możliwe po przywróceniu ustawień fabrycznych.

Po wprowadzeniu niezbędnych zmian zapisujemy je naciskając przycisk „OK”. Kamera potwierdzi prawidłowość przeprowadzonych operacji wyświetleniem okna potwierdzenia. Po naciśnięciu przycisku „OK” w oknie potwierdzenia wyświetli się okno logowania do panelu www kamery.

## POŁĄCZENIA SIECIOWE ZA POMOCĄ PRZEGLĄDARKI WWW



Aktywowanie opcji odzyskiwania dostępu do kamery nie jest obowiązkowe. Ten krok można pominąć, naciskając przycisk „OK” bez zaznaczania żadnej z opcji, lub naciskając przycisk „Wstecz”. Jednak w tym wypadku odzyskanie hasła będzie niemożliwe i jedynym sposobem przywrócenia dostępu do kamery w przypadku utracenia hasła będzie reset przyciskiem.

### Odzyskiwanie hasła administratora

Aby odzyskać dostęp do kamery w przypadku zapomnienia hasła, należy kliknąć na link „Ustawienia odzyskiwania hasła” w prawym dolnym rogu okna logowania.



Link „Ustawienia odzyskiwania hasła” wyświetla się tylko wtedy, gdy podczas definiowania hasła administratora została aktywowana jedna z opcji odzyskiwania. Jeśli aktywowanie opcji odzyskiwania zostało pominięte, link nie wyświetla się i jedynym sposobem przywrócenia dostępu do kamery jest reset przyciskiem.

Wyświetli się okno odzyskiwania hasła, w którym w opcji „Sposób weryfikacji” należy wybrać metodę odzyskiwania hasła. Po wybraniu „Weryfikacja pytaniem bezpieczeństwa”, w odpowiednie pola należy wpisać podane podczas konfiguracji odpowiedzi, a następnie należy ustawić nowe hasło.

Po wybraniu „Certyfikat autoryzacji” należy zaimportować utworzony wcześniej plik certyfikatu i następnie ustawić nowe hasło.

### Logowanie się do kamery

Aby zalogować się do kamery, w oknie logowania należy wpisać nazwę konta administratora (domyślnie **root**) i ustawione hasło.

Jeżeli pracujemy w przeglądarce Edge przełączonej w tryb Internet Explorera, to przeglądarka może poprosić o zainstalowanie wtyczki „SurveillancePluginV2.exe”, niezbędnej do wyświetlania wideo (komunikat ten pojawi się, jeśli w systemie nie było wcześniej zainstalowanej wtyczki, lub jeśli taka wtyczka jest, ale w nieodpowiedniej wersji).

W takim wypadku należy kliknąć na link „Kliknij by zainstalować, lub by przejść do karty produktu na stronie Novus i pobrać wtyczkę” i postępować zgodnie z poleceniami instalatora. Po zakończeniu instalacji należy odświeżyć okno przeglądarki. Po tych czynnościach w oknie podglądu na żywo powinien wyświetlić się obraz z kamery.



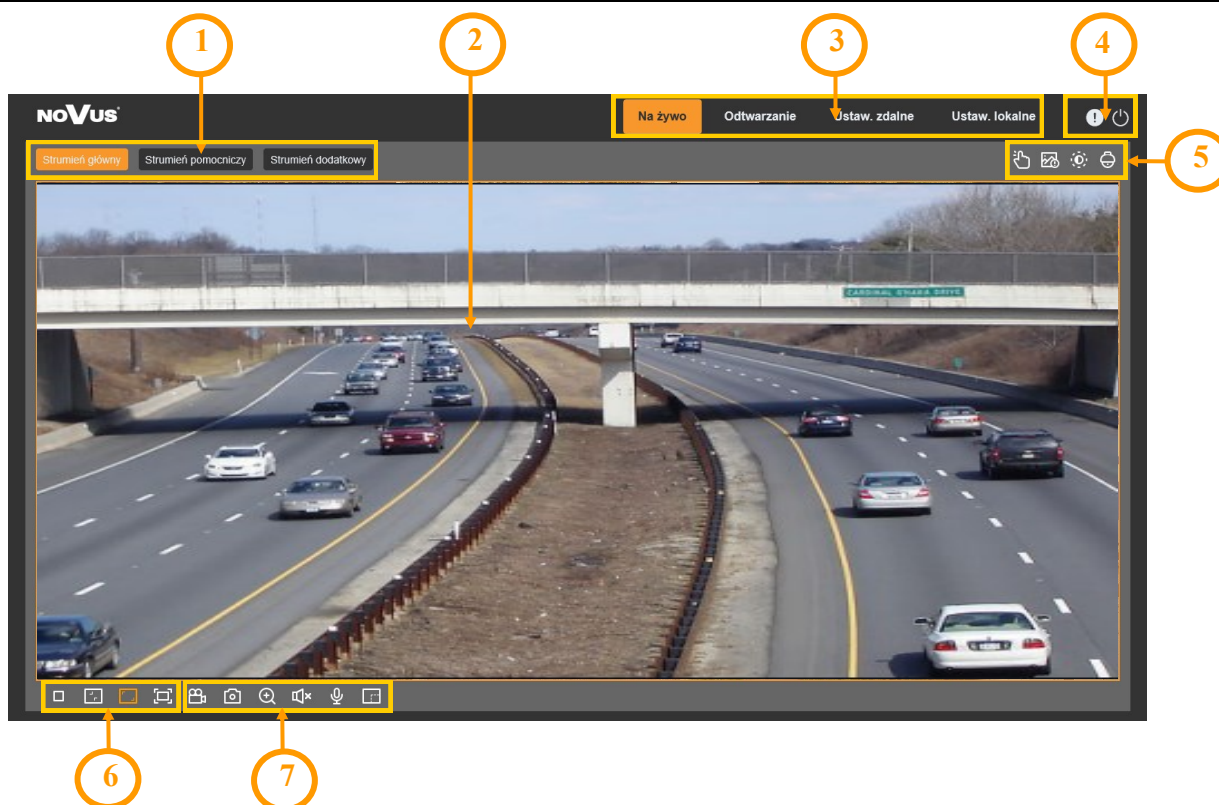
Przy korzystaniu z przeglądarki używającej protokołu HTML5 (jak Firefox, Chrome, Opera, Safari) nie ma potrzeby instalowania jakichkolwiek dodatków i po zalogowaniu się, w oknie podglądu na żywo wyświetli się obraz.

## INTERFEJS WWW - PRACA Z KAMERĄ

### 4. INTERFEJS WWW - PRACA Z KAMERĄ

#### 4.1. Widok okna zdalnego podglądu

Poniższy widok przedstawia okno zdalnego podglądu wyświetlone w przeglądarce Edge przełączonej w tryb Internet Explorera, z zainstalowaną wtyczką „SurveillancePluginV2.exe”. Podczas łączenia się z kamerą z przeglądarek korzystających z HTML5, niektóre elementy menu i/lub niektóre opcje mogą być niedostępne. Nie jest to usterka, ale wynika ze specyfiki standardu HTML5.



1. Wybór strumienia do wyświetlania w oknie podglądu.

2. Okno podglądu na żywo.

Dwukrotne kliknięcie lewym przyciskiem myszy na oknie podglądu włącza i wyłącza wyświetlanie obrazu na całym ekranie.

3. Przyciski wyboru trybu pracy i konfiguracji kamery:

- |                    |  |
|--------------------|--|
| Na żywo            | - włącza podgląd strumienia na żywo                                |
| Odtwarzanie        | - włącza panel odtwarzania nagrań z karty pamięci                  |
| Ustawienia zdalne  | - wyświetla panel konfiguracyjny kamery                            |
| Ustawienia lokalne | - wyświetla panel konfiguracji ścieżek dostępu do folderów zrzutów |

4. Ikony dostępu do kamery. Od lewej: wyświetla informacje o zalogowanym użytkowniku i wersji apletu, wylogowanie z kamery

## INTERFEJS WWW - PRACA Z KAMERA

5. Wyświetla boczne panele informacyjne i sterujące:



Od lewej: włącza panel ręcznego sterowania wyjściem alarmowym, włącza panel wyświetlania alarmów zdarzeń analizy obrazu, włącza panel regulacji obrazu, włącza panel PTZ

6. Przyciski sterowania obrazem:



Od lewej: włącza i wyłącza podgląd na żywo, ustawia oryginalne proporcje obrazu, dopasowuje obraz do okna przeglądarki, włącza pełny ekran

7. Ikony sterujące dodatkowymi funkcjami:



Od lewej: włącza i wyłącza nagrywanie strumienia wideo na dysku komputera, zapisuje stopklatkę na dysku komputera, włącza i wyłącza cyfrowe powiększanie fragmentu obrazu, włącza i wyłącza odsłuch audio, włącza i wyłącza interkom, włącza i wyłącza licznik pikseli (wyświetla rozmiar zaznaczonego obszaru)

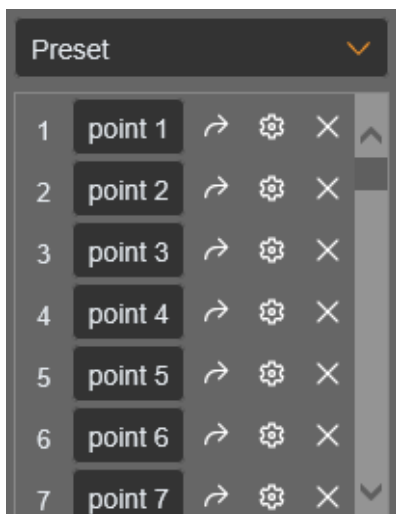
### Panel PTZ

The screenshot shows the PTZ control panel with the following callouts:




- Przyciski sterowania ruchem głowicy PTZ**: Points to the circular directional pad at the top.
- Regulacja szybkości ruchu głowicy PTZ**: Points to the slider labeled 'Prędkość'.
- Przyciski sterowania obiektywem, od lewej: zoom-, zoom+, ostrość-, ostrość+**: Points to the four buttons in the middle section.
- Sterowanie funkcjami kamery, od lewej: sterowanie 3D PTZ, autofocus, reset wszystkich funkcji PTZ, skanowanie 360°**: Points to the four buttons in the bottom section.
- Wyświetla panele konfiguracji funkcji PTZ**: Points to the 'Funkcja PTZ' label at the bottom.

## INTERFEJS WWW - PRACA Z KAMERĄ

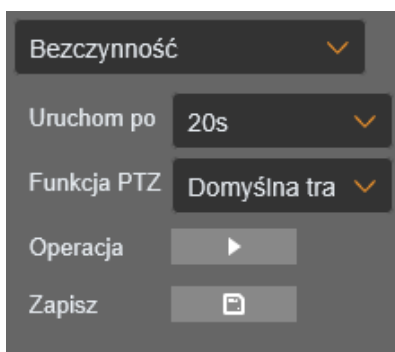
Opcje listy presetów:



Na liście presetów wyświetlane są wszystkie dostępne presety. Presety zapisane (zajęte) są oznaczone kolorem jasno szarym. Przy każdym presecie są dostępne ikony pozwalające na zarządzanie:

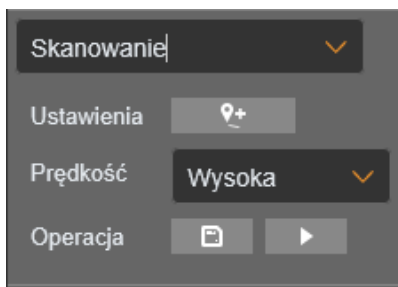
-  - zapisuje obecną pozycję głowicy kamery jako preset. Jeżeli w wybranej pozycji jest już zapisany jakiś preset, zostanie nadpisany.
-  - wywołuje wybrany preset
-  - usuwa wybrany preset

Opcje funkcji bezczynności:



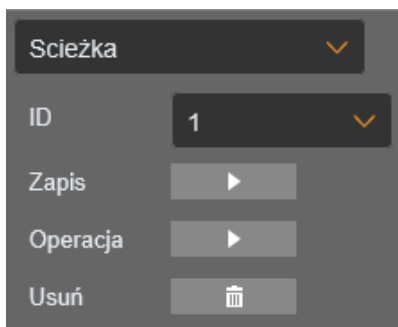
Funkcja Bezczynność pozwala na uruchomienie wybranej funkcji PTZ, po ustawionym czasie, w trakcie którego kamera nie wykonuje żadnej akcji PTZ.

Opcje funkcji skanowania:



Po zapisaniu punktu startowego i końcowego, kamera wykonuje cykliczne skanowanie wybranego fragmentu pola widzenia. Skanowanie odbywa się tylko w płaszczyźnie poziomej, przy jednej wartości zoomu.

Opcje funkcji Ścieżka:

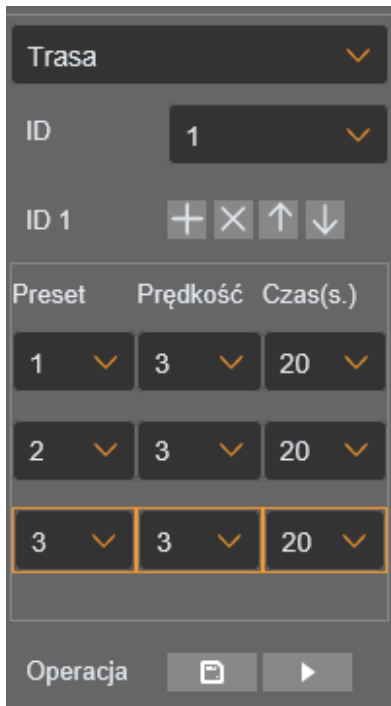


Funkcja pozwala na zapisanie ruchów głowicy PTZ wykonywanych przez operatora. Zapis ścieżki rozpoczyna się i kończy po naciśnięciu przycisku obok opcji „Zapis”. Naciśnięcie przycisku obok opcji „Operacja” uruchamia i zatrzymuje ścieżkę. Można zapisać do 4 ścieżek.




## INSTALACJA KARTY SD

Opcje listy tras obserwacji:



Funkcja Trasa pozwala na zarządzanie trasami obserwacji. Możliwe jest stworzenie do 4 tras.

Przyciski  pozwalają na zarządzanie presetami trasy, odpowiednio: dodawanie, usuwanie, przesunięcie w górę i w dół listy presetów. Na liście presetów można zmienić prędkość ruchu pomiędzy presetami, oraz czas przebywania w każdym z nich. Po zakończeniu tworzenia trasy zapisujemy zmiany przyciskiem z dyskietką. Widoczny obok przycisk uruchamia i zatrzymuje trasę.

## 5. INSTALACJA KARTY SD

W celu instalacji karty należy:

- Wyłączyć zasilanie kamery
- Zdemontować osłonę głowicy obrotowej
- Zdemontować pokrywę osłaniającą tylną część głowicy obrotowej
- Zainstalować kartę SD w odpowiednim gnieździe (opisane na rysunku na następnej stronie)
- Zamocować pokrywę zwracając uwagę na poprawne ułożenie uszczelki
- Włączyć kamerę
- Przejść do zakładki „Ustawienia Zdalne -> Urządzenie -> Dyski” i sformatować kartę

## 6. PRZYWRACANIE USTAWIEŃ FABRYCZNYCH

### 6.1. Programowe przywracanie ustawień fabrycznych

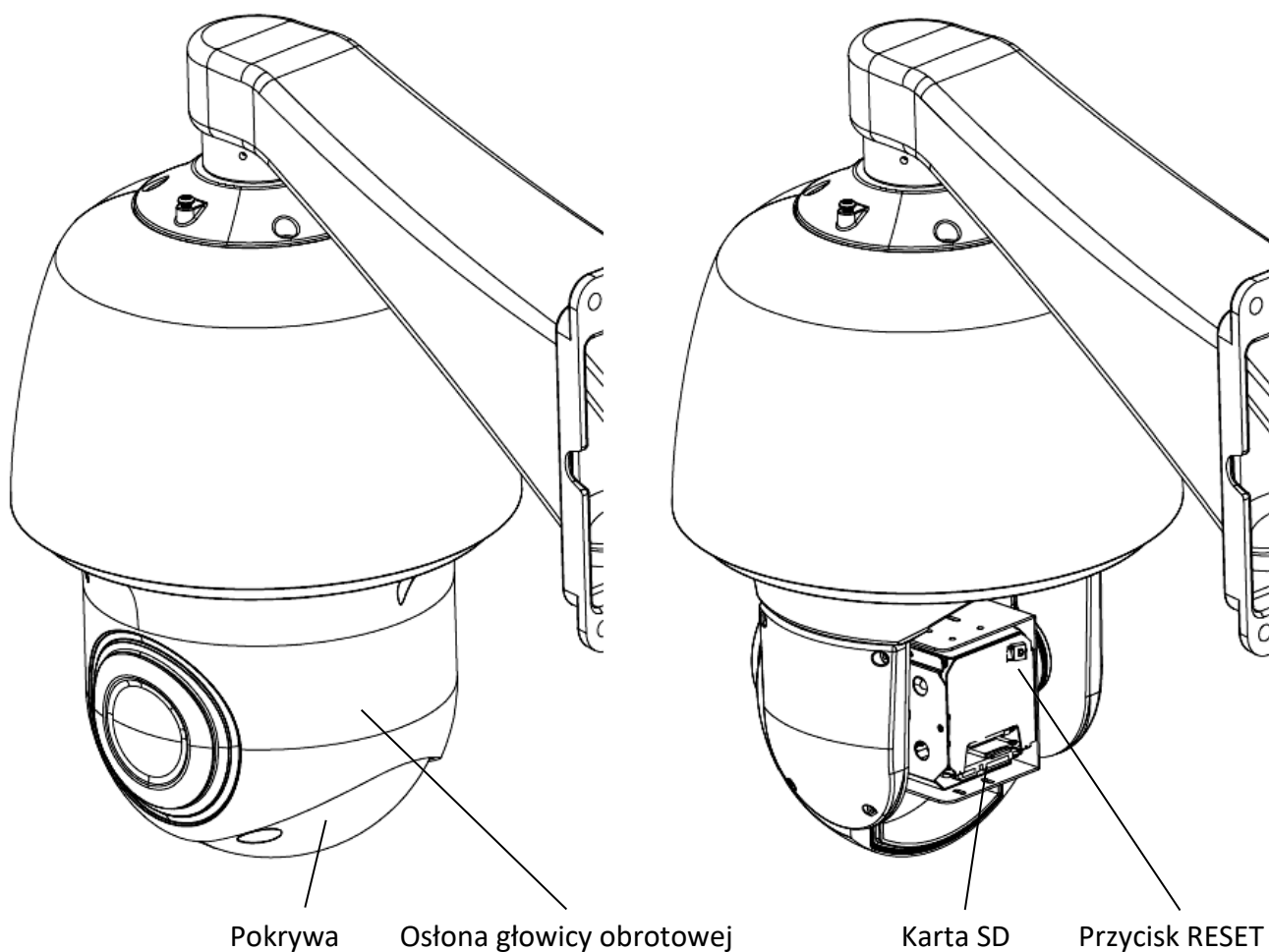
Opcja przywracania ustawień fabrycznych znajduje się w zakładce „Ustawienia Zdalne -> System -> Zarządzanie -> Ustawienia Domyślne.”. Przywracanie ustawień fabrycznych kamery powoduje powrót ustawień kamery do wartości fabrycznych. Odznaczenie wybranej opcji pozwala na zachowanie ustawień w danej konfiguracji bez zmian.

## PRZYWRACANIE USTAWIENÍ FABRYCZNYCH

### 6.2. Sprzętowe przywrócenie ustawień fabrycznych

W celu sprzętowego przywrócenia ustawień fabrycznych kamery należy postępować zgodnie z instrukcją:

- Zdemontować osłonę głowicy obrotowej
- Zdemontować pokrywę osłaniającą tylną część głowicy obrotowej
- Nacisnąć przycisk RESET (opisany na rysunku poniżej i przytrzymać przez około 10 sekund
- Zwolnić przycisk
- Zaczekać aż kamera uruchomi się (zakończy pozycjonowanie głowicy)
- Zamocować pokrywę zwracając uwagę na poprawne ułożenie uszczelki
- Zalogować się ponownie używając domyślnego adresu IP, nazwy użytkownika i hasła





**noVus<sup>®</sup>**

**AAT SYSTEMY BEZPIECZEŃSTWA Sp. z o.o.**

ul. Puławska 431, 02-801 Warszawa, Polska

tel.: 22 546 0 546, kontakt@aat.pl

[www.novuscctv.com/pl](http://www.novuscctv.com/pl)