

# Quick start guide



**NVIP-8VE-4501P/WLAD**

**noVus<sup>®</sup>**

## CAUTIONS AND WARNINGS

---

**THE PRODUCT MEETS THE REQUIREMENTS CONTAINED IN THE FOLLOWING DIRECTIVES:**



**DIRECTIVE 2014/30/EU OF THE EUROPEAN PARLIMENT AND OF THE COUNCIL of 26 February 2014** on the harmonization of the laws of the Member States relating to electromagnetic compatibility (OJ L 96, 29.3.2014, p. 79–106, with changes).



**DIRECTIVE 2012/19/EU OF THE EUROPEAN PARLIAMENT AND OF THE COUNCIL of 4 July 2012** on waste electrical and electronic equipment (WEEE) (OJ L 197, 24.7.2012, p. 38–71, with changes).



**DIRECTIVE 2011/65/EU OF THE EUROPEAN PARLIAMENT AND OF THE COUNCIL of 8 June 2011** on the restriction of the use of certain hazardous substances in electrical and electronic equipment (OJ L 174, 1.7.2011, p. 88–110, with changes).

**COMMISSION DELEGATED DIRECTIVE (EU) 2015/863 of 31 March 2015** amending Annex II to Directive 2011/65/EU of the European Parliament and of the Council as regards the list of restricted substances.

**DIRECTIVE (EU) 2017/2102 OF THE EUROPEAN PARLIAMENT AND OF THE COUNCIL of 15 November 2017** amending Directive 2011/65/EU on the restriction of the use of certain hazardous substances in electrical and electronic equipment.

### **Exclusion of liability in the event of damage to data contained on disks or other devices or media:**

The manufacturer is not liable in the event of damage or loss of data contained on disks or other devices or carriers during the operation of the Product.

### **Obligation to consult the Manufacturer before performing any action not provided for in the instruction manual or other documents:**

Before performing an action that is not provided for a given Product in the user manual, other documents attached to the Product or does not result from the normal purpose of the Product, it is necessary, under pain of exclusion of the Manufacturer's liability for the consequences of such action, to contact the Manufacturer.



**Pictures in this publication showing camera views can be simulations. Actual camera images may vary depending on the type, model, settings, observation area, or environmental conditions.**

## SAFETY REQUIREMENTS



Before using the device, read the instruction manual in order to ensure proper and safe operation of the device. Failure to comply with the instructions may lead to damage to the device and/or safety violations.



The user may not repair the device himself. Repairs and maintenance of the device may only be performed by qualified service personnel.



The device, which is an element of a professional CCTV system used for supervision and control, is not intended for self-assembly in households by persons without specialist knowledge.

eng

1. Please read this manual carefully before installation and operation;
2. Please keep this manual for the lifespan of the device in case referring to the contents of this manual is necessary;
3. It is necessary to comply with the safety requirements described in the manual, as they have a direct impact on the safety of users and the durability and reliability of the device;
4. All activities performed by installers and users must be carried out as described in the manual;
5. The device should be disconnected from power sources during maintenance procedures;
6. It is not allowed to use any additional devices, components or accessories not provided for and not recommended by the manufacturer;
7. Do not install this device in places where proper ventilation cannot be provided (e.g. closed cabinets, etc.), as this may cause heat build-up and may result in damage;
8. Do not place the device on unstable surfaces. Installation must be carried out by qualified personnel with appropriate permissions in accordance with the recommendations provided in this manual;
9. The device may be powered only from sources with parameters compliant with those indicated by the manufacturer in the technical data;



As the product is constantly improved and optimised, some of its parameters and functions may have changed from those described in this manual. If in doubt, please refer to the user manual at [www.novuscctv.com](http://www.novuscctv.com)

The user manual located at [www.novuscctv.com](http://www.novuscctv.com) is always the most up-to-date version.

## FOREWORD INFORMATION

### 1. TECHNICAL SPECIFICATION

IMAGE	
Image Sensor	8 MPX CMOS sensor 1/2.8" SONY STARVIS
Number of Effective Pixels	3840 (H) x 2160 (V)
Min. Illumination	0.007 lx/F1.0 - color mode, 0 lx (IR on) - B/W mode
Electronic Shutter	auto/manual: 1/5 s ~ 1/20000 s
Digital Slow Shutter (DSS)	up to 1/5 s
Wide Dynamic Range (WDR)	yes (double scan sensor)
Digital Noise Reduction (DNR)	3D
Highlight Compensation (HLC)	yes
Back Light Compensation (BLC)	yes
Reduction of image flicker (Antiflicker)	yes
LENS	
Lens Type	fixed focal, f=2.0 mm/F2.4
DAY/NIGHT	
Switching Type	mechanical IR cut filter
Switching Mode	auto, manual, time
Switching Level Adjustment	yes
NETWORK	
Stream Resolution	3840 x 2160 (4K Ultra HD), 3072 x 1728, 2592 x 1944, 2592 x 1520, 2304 x 1296, 1920 x 1080 (Full HD), 1280 x 960, 1280 x 720 (HD), 640 x 480 (VGA)
Frame Rate	20 fps for 3840 x 2160 (UHD), 3072 x 1728, 2592 x 1944, 30 fps for 2592 x 1520 and lower resolutions
Multistreaming Mode	3 streams (main stream, sub stream, third stream)
Video/Audio Compression	H.264, H.264+, H.265, H.265+/G.711
Number of Simultaneous Connections	max. 3 connections, (max. 10 streams in total)
Bandwidth	40 Mb/s in total
Network Protocols Support	HTTP, TCP/IP, IPv4/v6, HTTPS, FTP, DHCP, DNS, DDNS, NTP, RTSP, RTP, UPnP, SNMP, SMTP, P2P, HTML5, RTMP
Camera Configuration	from Edge, Firefox, Chrome, Safari browser languages: Polish, English, Russian, and others
Compatible Software	NOVUS MANAGEMENT SYSTEM VSS
Mobile applications	RxCamView (iPhone, Android)

## FOREWORD INFORMATION

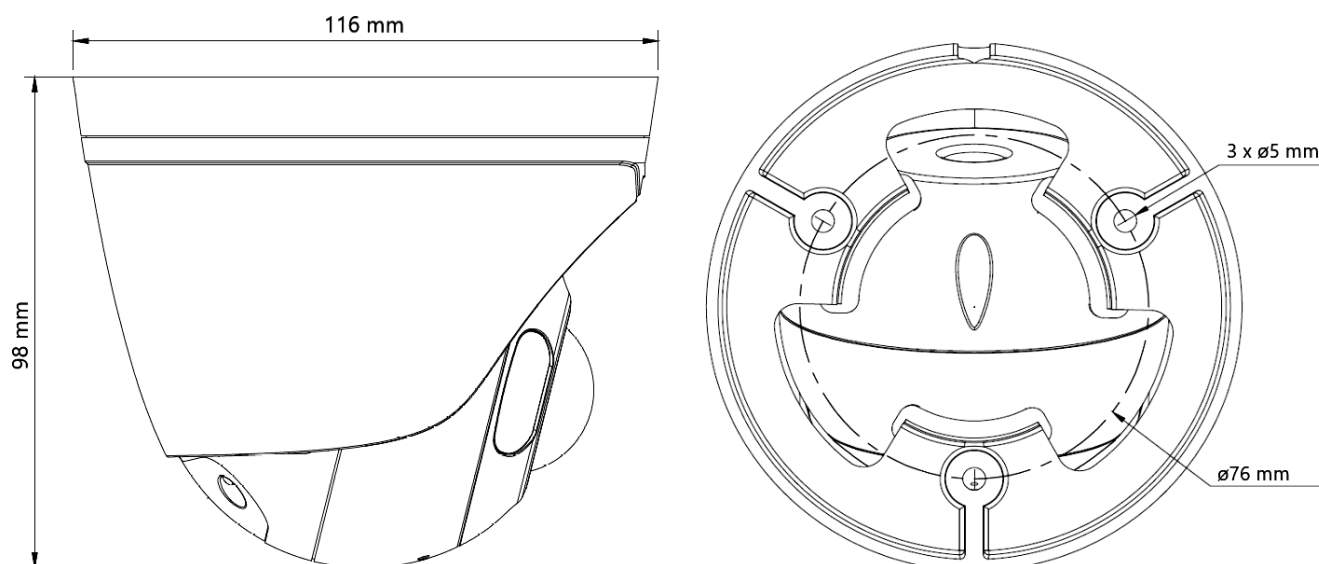
<b>OTHER FUNCTIONS</b>	
Privacy Zones	6 video mask type: single color
Motion Detection	yes
Region of interest (ROI)	8
Audio Detection	yes
Video Content Analysis (VCA)	tamper, abandoned object, object disappearance, line cross, zone entrance, zone exit, zone violation, multi loiter, cross counting, heat map, queue length detection, objects distinguishing
Image Processing	180°image rotation, corridor mode, vertical flip, horizontal flip
Prealarm/Postalarm	up to 5 s/up to 30 s
System Reaction to Alarm Events	e-mail with attachment, saving file on FTP server, saving file on SD card, push notification, active deterrent functions
Determent	white LEDs, steady/flashing light, red and blue LEDs, flashing light, audio signaling device (siren)
Restoring default settings	via web browser, using reset button
<b>IR LED</b>	
LED Number	2
Range	25 m
Smart IR	yes (hardware support)
<b>WHITE LIGHT ILLUMINATOR</b>	
LED Number	2, warm white color
Range	15 m
Smart Light	yes (hardware support)
<b>INTERFACES</b>	
Audio Input/Output	built-in microphone/speaker
Network Interface	1 x Ethernet - RJ-45 interface, 10/100 Mbit/s
Memory Card Slot	microSD - capacity up to 256GB

eng

## START-UP AND INITIAL CONFIGURATION

INSTALLATION PARAMETERS	
Dimensions (mm)	116 (Φ) x 98 (H)
Weight	0.6 kg
Degree of Protection	IP 67 (details in the user's manual)
Enclosure	vandalproof aluminium, white
Power Supply	12 VDC, PoE (IEEE 802.3af, Class 3)
Surge protection	TVS 4000 V
Power Consumption	3 W, 5 W (IR illuminator on), 5 W (white light illuminator on), 7 W (active deterrence functions enabled)
Operating Temperature	-35°C ~ 60°C
Humidity	max. 95%, relative (non-condensing)

### 1.1 Camera dimensions



## START-UP AND INITIAL CONFIGURATION

### Caution:

If the device was brought from a room with a lower temperature, wait until it reaches the temperature of the room in which it is to work. Do not switch the device immediately after bringing from a cooler place. The condensation of water vapor can cause short circuits and consequently damage the device.

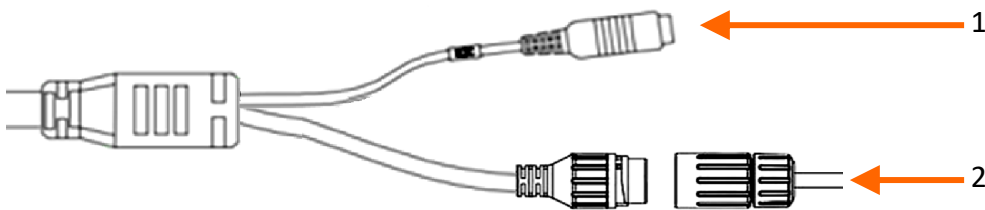
## 2. START-UP AND INITIAL CONFIGURATION

Before starting the device familiarize yourself with the description and the role of particular inputs, outputs and adjusting elements that the device is equipped with.

eng

### 2.1. Description of the camera's electrical connectors

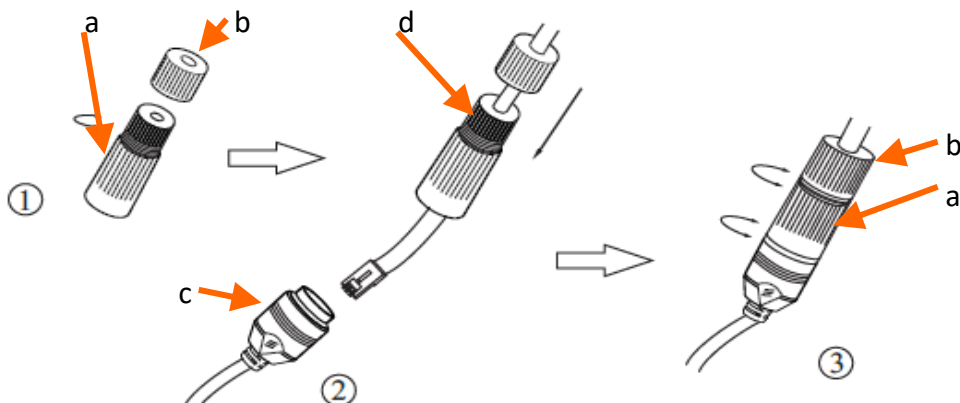
1. 12VDC camera power socket
2. 100 Mb/s Ethernet port (hermetic RJ-45 socket)



### 2.2. Connecting ethernet cable

To maintain hermeticity network cable connection, follow the instructions below:

1. Unscrew the nut (b) from the connector cover (a), mount the sealing ring on the socket (c)
2. Route the network cable through the components (a) and (b). Plug the RJ-45 connector into the socket (c)
3. Screw the connector cover (a) on the socket (c). Inside the upper part of the connector cover (a) push in to the stop the seal of the cable (d) - the seal is cut to insert on the network cable.
4. Tighten up to the stop nut (b)



## START-UP AND INITIAL CONFIGURATION

### 2.3. Power supply connection

The camera can be powered from a commercially available DC power supply, provided that it meets the technical requirements of the camera. The source must provide stabilized 12VDC voltage, must allow the consumption of at least 10W of power, and have a barrel DC 2.1/5.5 plug with the correct polarity of the contacts:



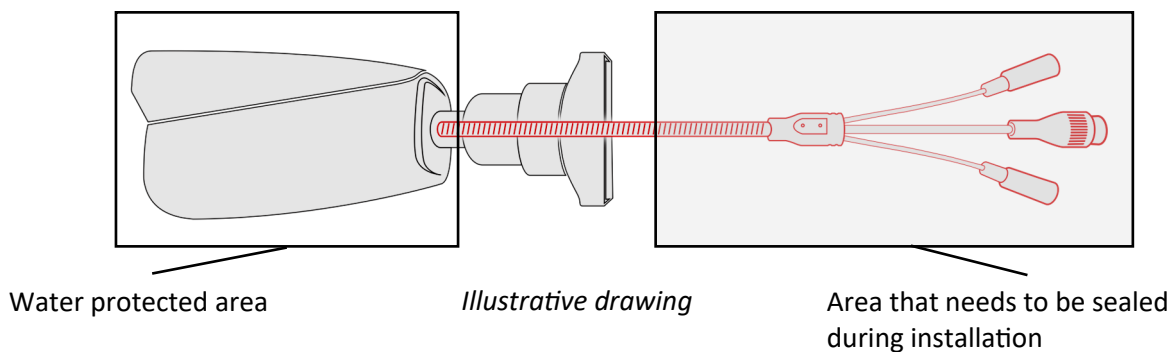
It is also possible to power the camera via the RJ45 network socket, using PoE + technology (IEEE 802.3af, Class 3).

#### Caution!

**Do not use power supplies and POE adapters that do not comply with the IEEE 802.3at standard, the so-called "passive POE" power supplies. Damage resulting from the use of an unsuitable adapter is not covered by the warranty!**

### 2.4. Protection against water ingress

The declared degree of protection applies only to camera housing and the location where the connection cable enters the inside of the housing.



This means that the connection cable, including sockets, connectors, switches, buttons, and other elements on this cable, as well as other camera equipment/construction elements (such as hoods, brackets, supports, etc.), are not waterproof. It is the responsibility of the person installing the camera to protect the elements that require it (and in any case the connection cable) against moisture.

The manufacturer is not responsible for any damages or camera malfunctions resulting from failure to comply with the above obligation, which also means that they are not covered by the warranty repairs.

The RJ-45 socket cover included in the camera accessories (depending on the version/model) is not a water protection element. Its purpose is to protect against the ingress of dust and atmospheric moisture into the socket and prevent accidental disconnections by mechanically stabilizing the network plug in the RJ-45 socket.



## START-UP AND INITIAL CONFIGURATION

---

---

### 2.5. "Two way power" function

The camera is equipped with the "Two way power" function. When the camera is connected to the PoE switch, 12VDC is available in the 12V camera power socket. This allows user to power the receiver with low power consumption from the camera power socket.



The maximum power consumption of the device using the "Two way power" function is 3W.

### 2.6. Camera mounting

- Loosen the locking screw that secures the camera cover to the base. Rotate the cover so that the screw is aligned with the mark on the base, remove the cover, and remove the camera from the base.
- Use the template or the location of the holes on the base of the camera to mark the points for future mounting holes and the cable entry.
- Drill mounting holes and a hole for the signal cable.
- Attach the camera base
- Connect the camera cables, place the camera on the base, replace the cover and pre-tighten the locking screw. Adjust the position of the camera
- Tighten the locking screw fully

#### Caution!

Pay particular attention to the surface to which is attached the camera to have the appropriate capacity.

#### Caution!

It is recommended to install the camera using one of the dedicated adapters. The use of an adapter allows for an aesthetic camera installation, facilitates later servicing and provides a water-protected space for hiding cables.



Adapters are additional equipment, to be purchased separately. The characteristics and functions of the adapter (such as mounting method, space for cables, etc.) depend on its model. The list of dedicated adapters and their specifications can be found on the camera's catalog card under the "Related Products" tab

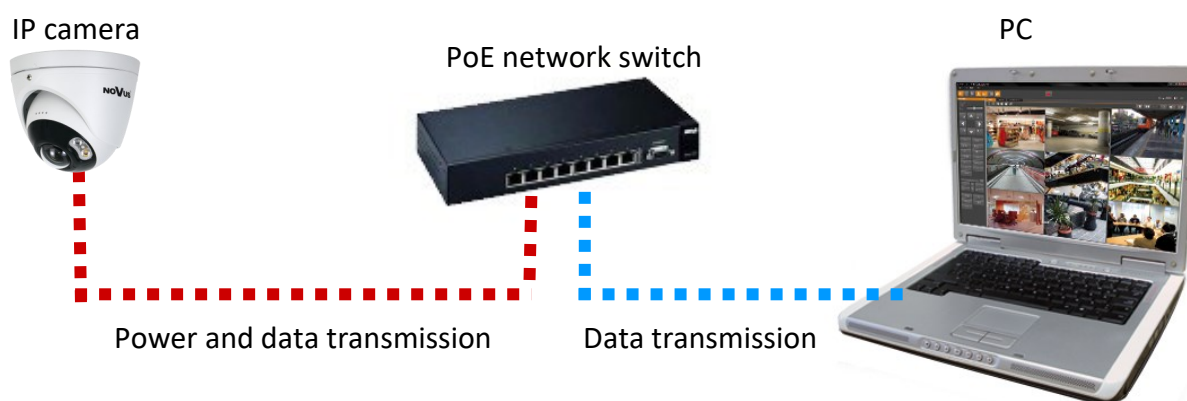
## START-UP AND INITIAL CONFIGURATION

### 2.7. Starting the camera

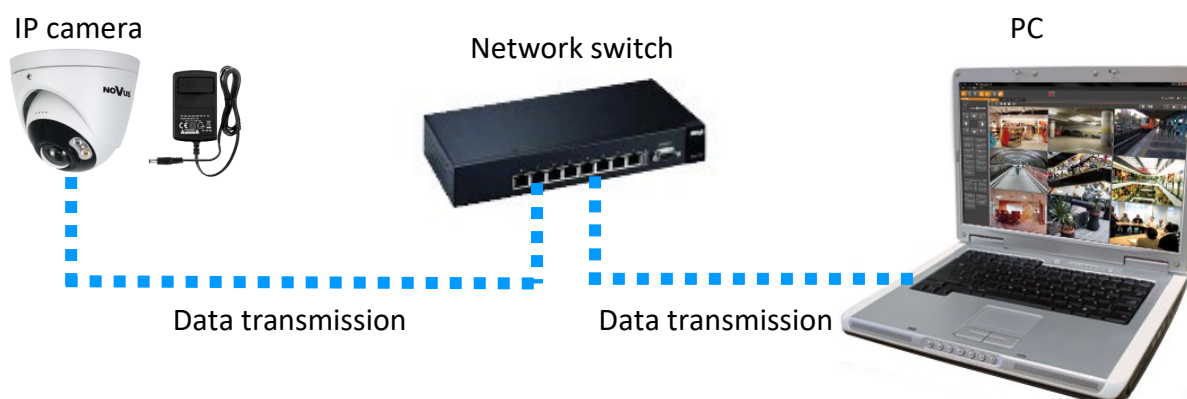
To start the camera, connect the Ethernet cable to the RJ45 network socket of the IP camera, and the other end to the network switch. As a power source, it is possible to use an external stabilized power supply with parameters that meet the requirements of the camera or PoE network switch.

The recommended method of starting and configuring the IP camera is to connect it to a PC or laptop in a dedicated network switch to which no other devices are connected. In case of power supply from an external power supply, it is enough to use any network switch or a cable connected directly to the computer. For network configuration data (IP address, gateway, netmask etc.), please contact the administrator of the network in which the device is to work.

- Connection using network switch with PoE support

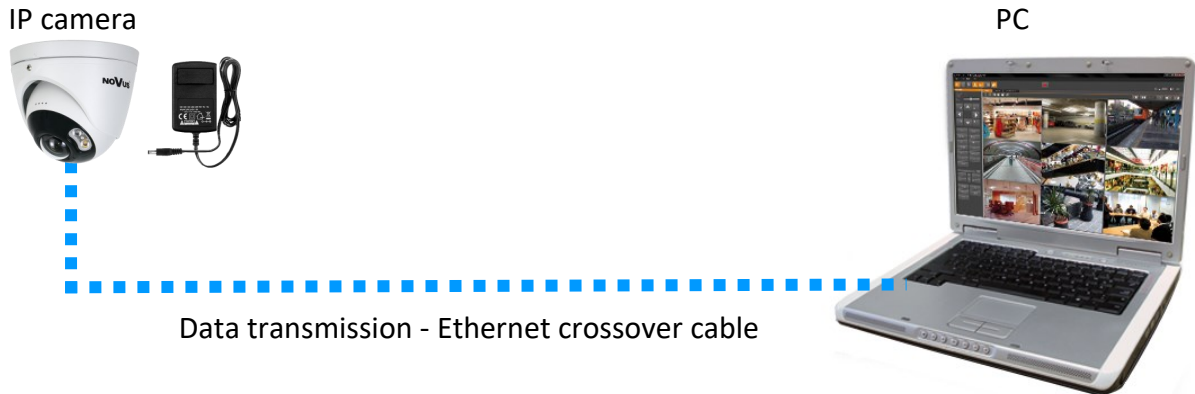


- Connection using external power supply and network switch



## START-UP AND INITIAL CONFIGURATION

- Connection using the camera's external power supply and an Ethernet crossover cable



eng

### 2.8. Parameter configuration using a web browser

The default network settings for camera are:

1. IP address= **192.168.1.200**
2. Network mask - **255.255.255.0**
3. Gateway - **192.168.1.1**
4. User name - **root**
5. Password - **pass**

Knowing the camera's IP address you need to appropriately set PC IP address, so the two devices can operate in one network subnet ( e.g. for IP 192.168.1.1, appropriate address for the camera ranges from 192.168.1.2 to 192.168.1.254, for example 192.168.1.60). It is not allowed to set the same addresses for camera and PC computer

You can either set a network configuration (IP address, gateway, net mask, etc.) of NOVUS IP camera yourself or select DHCP mode (DHCP server is required in this method in target network) by using web browser or by NMS software. When you use DHCP server check IP address lease and its linking with camera MAC address to avoid changing or losing IP address during device operation or network/DHCP server breakdown. You have to remember to use a new camera IP address after changing network parameters.

After network setting configuration has been done, the camera can be connected to a target network.

## START-UP AND INITIAL CONFIGURATION

---

---

### 2.9. Security recommendations for network architecture and configuration

#### WARNING!

**Below are shown security recommendations for network architecture and configuration of CCTV systems that are connected to the Internet to reduce the risk of unauthorized interference with the system by a third party.**

1. Absolutely change the default passwords and user names (if the device gives this possibility) of all applied network devices (recorders, cameras, routers, network switches, etc.) to the severely complexity password. Use lowercase and uppercase letters, numbers, and special characters if there is such possibility.
2. Depending on the available functionality in the order to restrict access to the used network devices at the administrator account level, it is recommended to configure the users accounts accordingly.
3. Do not use DMZ function (Demilitarized zone) in your router. Using that function you open the access to recorder system from the Internet on all ports, which gives possibility for an unauthorized interference with the system.

Instead of DMZ use port forwarding redirect only the ports which are necessary for the performance of the connection (detailed information about ports of communication in different models of recorders, cameras, etc. can be found in the operating instructions).

4. Use routers with firewall function and make sure it is enabled and properly configured.
5. It is recommended to change the default network communication port numbers of used devices if there is such possibility.
6. If used network devices has a UPnP feature and it is not used, turn it off.
7. If used network devices has a P2P feature and it is not used, turn it off.
8. If used network devices support HTTPS protocol for connection, it is recommended to use it.
9. If used network devices support IP filtering for authorized connections function, it is recommended to use it.
10. If used recorder has two network interfaces it is recommended to use both of them to physically separate network for cameras and network for Internet connection. The only device in the system, accessible from Internet will be recorder - there will be no physically access directly to any camera.

## NETWORK CONNECTION USING WEB BROWSER

### 3. NETWORK CONNECTION USING WEB BROWSER

#### 3.1. Recommended PC specification for web browser connections

The following requirements apply to the connection with the IP camera assuming smooth video display at the maximum resolution.

1. CPU **Intel Core i7 3GHz** or newer
2. **RAM** Memory min. **8 GB**
3. Graphic card (any **Nvidia GeForce 1GB Ram** or equivalent)
4. OS **Windows 10/11**
5. Network card **100/1000 Mb/s**

eng

#### 3.2. First connection to the camera via a web browser

Enter the IP address of the camera in the address bar of the web browser. After connection, the following will be displayed: the administrator password definition window and then the security question window, allowing you to regain access to the camera in the event of forgetting the administrator password, without the need to reset.

#### Defining the administrator password

When connecting to the camera for the first time, the administrator password definition window is displayed.

Enter the password for the administrator account in the "New Password" field, and then repeat for confirmation in the "Confirm Password" field. The strength of the password is indicated on the "Password Strength" indicator, and the requirements for its creation can be seen in the pop-up window that shows up by hovering over the question mark symbol.

## NETWORK CONNECTION USING WEB BROWSER

After defining the administrator password, the password recovery question selection window is displayed.

The screenshot shows a window titled "Recover Password" with a close button (X) in the top right corner. Below the title bar, there is a section titled "Security Question Configuration" with a small square icon to its left. This section contains three rows of configuration options:

- Security Question 1:** A dropdown menu with the text "Your father's name?" and a downward arrow.
- Answer:** A text input field.
- Security Question 2:** A dropdown menu with the text "Your mother's name?" and a downward arrow.
- Answer:** A text input field.
- Security Question 3:** A dropdown menu with the text "Your head teacher's name in senior high school?" and a downward arrow.
- Answer:** A text input field.

At the bottom of the window, there are two buttons: "OK" and "Cancel".

To activate the security questions, select the "Security Question Configuration" option. Then select the questions from the "Security Question" lists and enter your own answers in the "Answer" fields.



It is obligatory to answer all the questions. Selected questions and answers should be stored in a place protected against unauthorized access. After saving the answers, they cannot be changed, and giving new ones is possible after restoring the factory settings.

Since the camera does not analyze the sense of the answer, but only remembers it, it can be any string of characters. The same answer can be given to each of the questions.

After making the necessary changes, save them by pressing the "OK" button. The camera confirms the correctness of the operations by displaying a confirmation window. After pressing the "OK" button in the confirmation window, the login window to the web panel of the camera is displayed.



It is not mandatory to activate security questions. This step can be skipped by pressing the "OK" button without selecting "Security Question Configuration", or by pressing the "Cancel" button. However, in this case, the password recovery option is not available and the only way to restore access to the camera in case the password is lost is to use the button reset.

## NETWORK CONNECTION USING WEB BROWSER

### Administrator password recovery

To regain access to the camera if you forget the password, click on the "Recover password" link in the lower right corner of the login window. The password recovery window is displayed, in which user must enter the answers provided during the configuration of the answer in the appropriate fields, and then set a new password.



The "Recover password" link only displays if security questions were activated when defining the administrator password. If you bypassed the activation of the security questions, the link does not appear and the only way to restore access to the camera is via reset button.

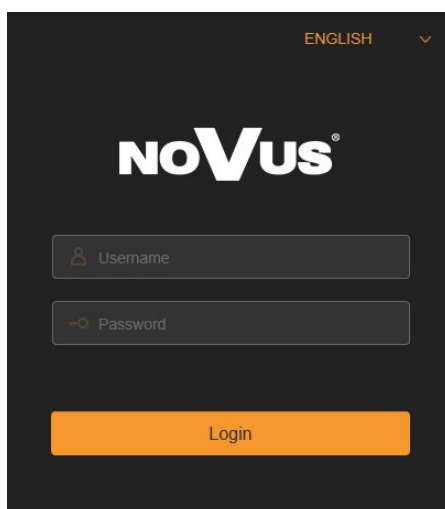
eng

### Login to the camera

To log in to the camera, enter the administrator account name and password in the login window.



The language selection list in which the camera menu will be displayed is located in the upper part of the login window.



After logging in using the Internet Explorer browser, the camera can display a message about the need to install "SurveillancePluginV2.exe" plug-in, necessary to display video (this message appears if the system was not previously installed the plug-in or if the plug-in is present, but it is in the wrong version).

In this case, click on the "Download and install plug-in" link and follow the installer's instructions. After the installation is complete, refresh the browser window. After these steps, the camera image should appear in the live view window.

When logging in with a browser using HTML5 (such as Firefox, Chrome, Opera, Safari), there is no need to install any plug-ins and after entering the username and password, the preview window displays an live image.

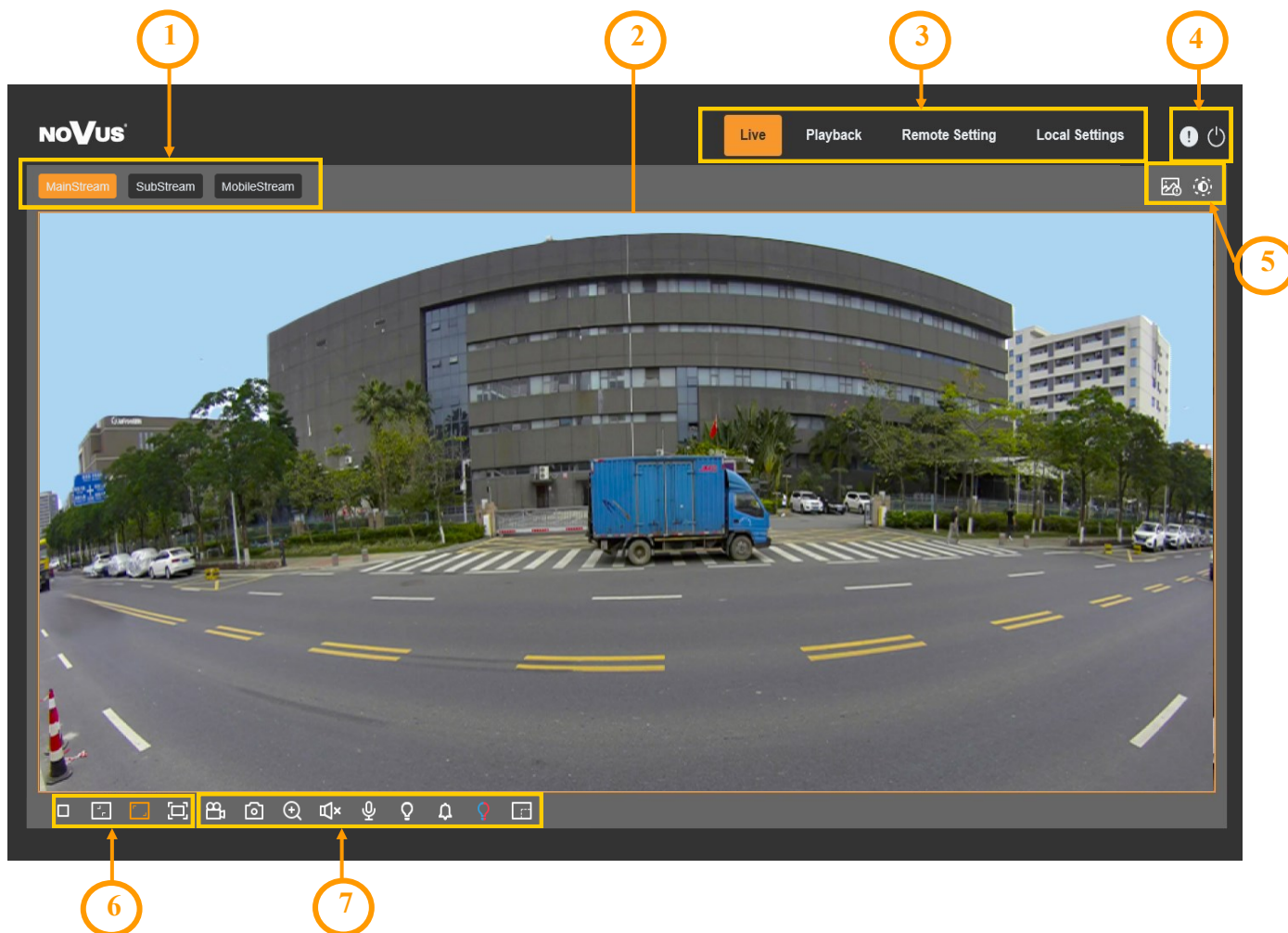
## USING AND CONFIGURING

### 4. USING AND CONFIGURING

#### 4.1. The Remote Preview Interface



The view below shows the remote view window displayed in Edge browser switched to Internet Explorer mode, with the "Surveillance PluginV2.exe" plugin installed. When connecting to the camera from browsers that use HTML5, some menu items and/or options may not be available. This is not a fault, but due to the specific nature of HTML5.



1. Selecting a stream to display in the remote view window.

2. Live Preview window.

Double-clicking the left mouse button on the preview window enables and disables the display of the image on the full screen.

3. Buttons for selecting the operating mode and configure the camera:

- |                |  |
|----------------|--|
| Live           | - enables preview live stream                                    |
| Playback       | - enables the playback panel of recordings from the memory card  |
| Remote Setting | - displays the configuration panel camera                        |
| Local Setting  | - displays the configuration panel of paths to snapshots folders |



4. Icon to access to the camera:



- displays information about the logged in user and the version of the applet



- logout from the camera

5. Displays the image adjustment panel.



- enables and disables the video analytics event alarm display panel



- enables the image adjustment panel.

6. Picture control buttons:



- enables and disables the live preview



- sets the original aspect ratio



- fits the image to the browser window



- sets full screen

7. Buttons controlling additional functions:



- enables and disables recording of the video stream to the user PC



- takes a screenshot and saves it to the user PC



- enables and disables enlarge the picture



- turns audio monitoring on and off



- turns intercom on or off



- turns the white LEDs on and off (present in the *Day/Night Mode*)



- turns the siren on and off



- turns the warning lights on and off



- enables and disables the pixel counter (displays the size of the selected area)

eng

## RESTORING FACTORY SETTINGS, INSTALLING THE SD CARD

---

---

### 5. RESTORING FACTORY SETTINGS

The camera menu has an option to reset the settings to the factory values. To restore the camera settings to the default values, go to the "*Load Default*" tab (Remote Settings -> Maintain -> Load Default). Then select the camera options that you want to reset and press the "Save" button. After confirming with the administrator password, the camera settings will be restored.

Restoring the factory settings is also possible by pressing and holding for about 5 seconds the reset button, which is located under the lid in the camera housing.

### 6. INSTALLING A MEMORY CARD

The microSD memory card slot is located under the lid in the camera housing.

To install a memory card, disconnect the camera's power supply, remove the screws that secures the lid and insert the card into its slot. After closing the lid and starting the camera, go to the "Remote Setting -> HDD" menu and format the memory card.

eng



**noVus<sup>®</sup>**

**AAT SYSTEMY BEZPIECZEŃSTWA Sp. z o.o.**  
431 Pulawska St., 02-801 Warsaw, Poland  
tel.: +4822 546 0 546, kontakt@aat.pl  
[www.novuscctv.com](http://www.novuscctv.com)

# Skrócona instrukcja obsługi



**NVIP-8VE-4501P/WLAD**

**noVus<sup>®</sup>**

## UWAGI I OSTRZEŻENIA

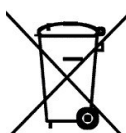
---

---

### PRODUKT SPEŁNIA WYMAGANIA ZAWARTE W DYREKTYWACH:



**DYREKTYWA PARLAMENTU EUROPEJSKIEGO I RADY 2014/30/UE z dnia 26 lutego 2014 r.** w sprawie harmonizacji ustawodawstw państw członkowskich odnoszących się do kompatybilności elektromagnetycznej (Dz.U. L 096 z 29.3.2014, s. 79-106, z późniejszymi zmianami) – zwana Dyrektywą EMC.



**DYREKTYWA PARLAMENTU EUROPEJSKIEGO I RADY 2012/19/UE z dnia 4 lipca 2012 r.** w sprawie zużytego sprzętu elektrycznego i elektronicznego WEEE (Dz.U. L 96 z 29.3.2014, str. 79-106, z późniejszymi zmianami) – zwana Dyrektywą WEEE.



**DYREKTYWA PARLAMENTU EUROPEJSKIEGO I RADY 2011/65/UE z dnia 8 czerwca 2011 r.** w sprawie ograniczenia stosowania niektórych niebezpiecznych substancji w sprzęcie elektrycznym i elektronicznym (Dz.U. L 174 z 1.7.2011, str. 88-110, z późniejszymi zmianami) - zwana Dyrektywą RoHS.

**DYREKTYWA DELEGOWANA KOMISJI (UE) 2015/863 z dnia 31 marca 2015 r.** zmieniająca załącznik II do dyrektywy Parlamentu Europejskiego i Rady 011/65/UE w odniesieniu do wykazu substancji objętych ograniczeniem (Dz. U. z 3 stycznia 2017).

**DYREKTYWA PARLAMENTU EUROPEJSKIEGO I RADY (UE) 2017/2102 z dnia 15 listopada 2017 r.** zmieniająca dyrektywę 2011/65/UE w sprawie ograniczenia stosowania niektórych niebezpiecznych substancji w sprzęcie elektrycznym i elektronicznym (Dz. U. z 10 lipca 2019).

### Wyłączenie odpowiedzialności w przypadku uszkodzenia danych zawartych na dyskach lub innych urządzeniach lub nośnikach:

Producent nie ponosi odpowiedzialności w razie uszkodzenia lub utraty w trakcie eksploatacji Produktu danych zawartych na dyskach lub innych urządzeniach lub nośnikach.

### Obowiązek konsultowania się z Producentem przed wykonaniem czynności nieprzewidzianej instrukcją obsługi albo innymi dokumentami:

Przed wykonaniem czynności, która nie jest przewidziana dla danego Produktu w instrukcji obsługi, innych dokumentach dołączonych do Produktu lub nie wynika ze zwykłego przeznaczenia Produktu, należy, pod rygorem wyłączenia odpowiedzialności Producenta za następstwa takiej czynności, skontaktować się z Producentem.



Zamieszczone w niniejszej publikacji zdjęcia przedstawiające obrazy z kamer mogą być symulacjami. Rzeczywiste obrazy z kamer mogą się różnić, w zależności od typu, modelu, ustawień, obszaru obserwacji lub warunków zewnętrznych.

## WARUNKI BEZPIECZEŃSTWA



Przed rozpoczęciem użytkowania urządzenia, należy zapoznać się z instrukcją obsługi w celu zapewnienia właściwej i bezpiecznej pracy urządzenia. Nieprzestrzeganie instrukcji może prowadzić do uszkodzenia urządzenia i/lub naruszenia bezpieczeństwa użytkownika.



Użytkownik nie może dokonywać samodzielnych napraw urządzenia. Naprawy i konserwację urządzenia mogą być wykonywane wyłącznie przez wykwalifikowanych pracowników serwisu.



Urządzenie będące elementem profesjonalnego systemu telewizji dozorowej służącego do nadzoru i kontroli, nie jest przeznaczone do samodzielnego montażu w gospodarstwach domowych, przez osoby nie posiadające specjalistycznej wiedzy.

1. Przed zainstalowaniem i rozpoczęciem eksploatacji należy dokładnie zapoznać się z niniejszą instrukcją obsługi;
2. Instrukcję należy przechowywać przez czas eksploatacji urządzenia na wypadek konieczności odniesienia się do zawartych w niej treści;
3. Należy przestrzegać wymogów bezpieczeństwa opisanych w instrukcji, gdyż mają one bezpośredni wpływ na bezpieczeństwo użytkowników i trwałość oraz niezawodność urządzenia;
4. Wszystkie czynności wykonywane przez instalatorów i użytkowników muszą być realizowane zgodnie z opisem zawartym w instrukcji;
5. Podczas przeprowadzania czynności konserwatorskich urządzenie musi być odłączone od zasilania;
6. Nie wolno stosować żadnych dodatkowych urządzeń, podzespołów lub akcesoriów nie przewidzianych i nie zalecanych przez producenta;
7. Nie należy instalować tego urządzenia w miejscach, gdzie nie można zapewnić właściwej wentylacji (np. zamknięte szafki, itp.), gdyż może to powodować kumulowanie się ciepła i w konsekwencji może doprowadzić do uszkodzenia;
8. Nie wolno umieszczać urządzenia na niestabilnych powierzchniach. Instalacja musi być przeprowadzona przez wykwalifikowany personel o odpowiednich uprawnieniach według zaleceń podanych w niniejszej instrukcji;
9. Urządzenie może być zasilane jedynie ze źródeł o parametrach zgodnych ze wskazanymi przez producenta w danych technicznych;



Ponieważ produkt jest stale ulepszany i optymalizowany, niektóre jego parametry i funkcje mogły ulec zmianie w stosunku do opisanych w niniejszej instrukcji. W razie wątpliwości prosimy o zapoznanie się z instrukcją obsługi znajdującą się na stronie [www.novuscctv.com](http://www.novuscctv.com)

Instrukcja obsługi znajdującą się na stronie [www.novuscctv.com](http://www.novuscctv.com) jest zawsze najbardziej aktualną wersją.

## INFORMACJE WSTĘPNE

### 1. DANE TECHNICZNE

<b>OBRAZ</b>	
Przetwornik obrazu	8 MPX, matryca CMOS, 1/2.8", SONY STARVIS
Liczba efektywnych pikseli	3840 (H) x 2160 (V)
Czułość	0.007 lx/F1.0 - tryb kolorowy, 0 lx (IR wł.) - tryb czarno-biały
Elektroniczna migawka	automatyczna/manualna: 1/5 s ~ 1/20000 s
Wydłużona migawka (DSS)	do 1/5 s
Szeroki zakres dynamiki (WDR)	tak (podwójne skanowanie przetwornika)
Cyfrowa redukcja szumu (DNR)	3D
Redukcja efektu oślepienia kamery (HLC)	tak
Kompensacja tylnego światła (BLC)	tak
Redukcja migotania obrazu (Antiflicker)	tak
<b>OBIEKTYW</b>	
Typ obiektywu	stałogniskowy, f=2.0 mm/F2.4
<b>DZIEŃ/NOC</b>	
Rodzaj przełączania	mechaniczny filtr podczerwieni
Tryb przełączania	automatyczny, manualny, czasowy
Regulacja poziomu przełączania	tak
<b>SIEĆ</b>	
Rozdzielczość strumienia wideo	3840 x 2160 (4K Ultra HD), 3072 x 1728, 2592 x 1944, 2592 x 1520, 2304 x 1296, 1920 x 1080 (Full HD), 1280 x 960, 1280 x 720 (HD), 640 x 480 (VGA)
Prędkość przetwarzania	20 kl/s dla 3840 x 2160 (UHD), 3072 x 1728, 2592 x 1944, 30 kl/s dla 2592 x 1520 i niższych rozdzielczości
Tryb wielostrumieniowy	3 strumienie (główny, pomocniczy, dodatkowy)
Kompresja wideo/audio	H.264, H.264+, H.265, H.265+ / G.711
Liczba jednoczesnych połączeń	maks. 3 połączeń, (maks. 10 strumieni łącznie)
Przepustowość	łącznie 40 Mb/s
Obsługiwane protokoły sieciowe	HTTP, TCP/IP, IPv4/v6, HTTPS, FTP, DHCP, DNS, DDNS, NTP, RTSP, RTP, UPnP, SNMP, SMTP, P2P, HTML5, RTMP
Konfiguracja kamery	z poziomu przeglądarki Internet Explorer, Edge, Firefox, Chrome, Safari języki: polski, angielski, rosyjski, i inne
Kompatybilne oprogramowanie	NOVUS MANAGEMENT SYSTEM VSS, NOVUS MANAGEMENT SYSTEM AC
Aplikacje mobilne	RxCamView (iPhone, Android)



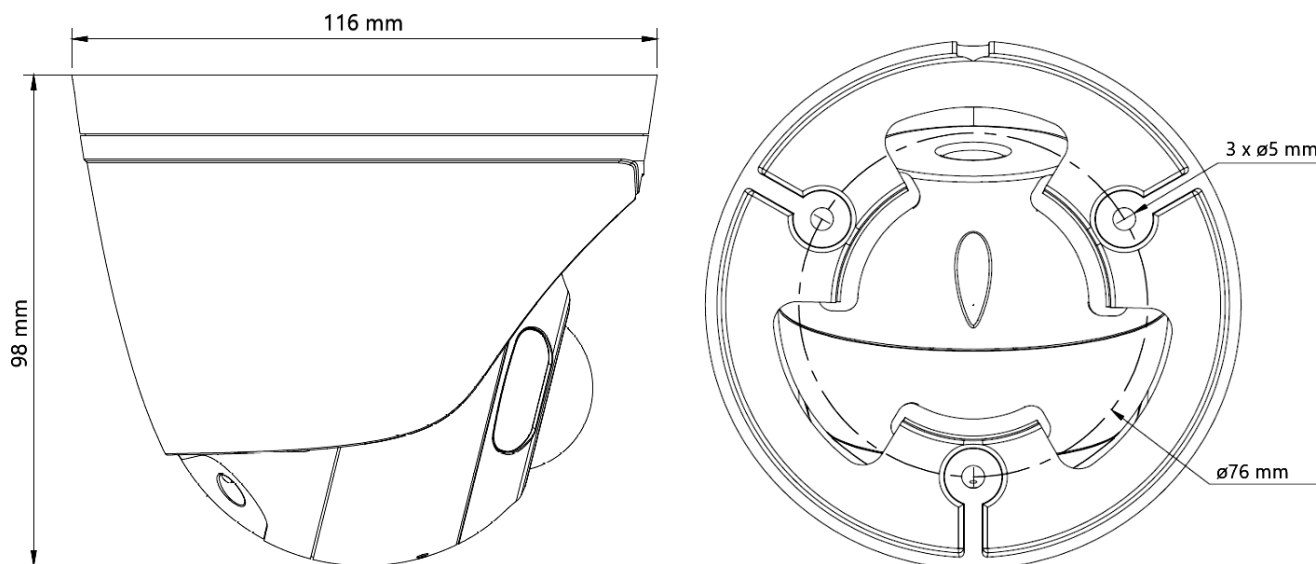
## INFORMACJE WSTĘPNE

POZOSTAŁE FUNKCJE	
Strefy prywatności	6 typu kolor
Detekcja ruchu	tak
Obszar obserwacji (ROI)	8
Detekcja Audio	tak
Analiza obrazu	sabotaż, pozostawienie obiektu, zniknięcie obiektu, przekroczenie linii, wkroczenie do strefy, wyjście ze strefy, naruszenie strefy, detekcja tłumy, zliczanie przekroczeń linii, mapa ciepła, detekcja długości kolejki, rozróżnianie obiektów
Obróbka obrazu	obrót obrazu o 180°, tryb korytarzowy, przrzućenie obrazu w pionie, przrzućenie obrazu w poziomie
Prealarm/postalarm	do 5 s/do 30 s
Reakcja na zdarzenia alarmowe	e-mail z załącznikiem, zapis na FTP, zapis na kartę SD, powiadomienie push, funkcje aktywnego odstraszenia
Odstraszanie	białe diody LED, światło ciągłe/migające, czerwone i niebieskie diody LED, światło migające, sygnalizator audio (syrena)
Przywracanie ustawień fabrycznych	z poziomu przeglądarki internetowej, za pomocą przycisku reset
OŚWIETLACZ IR	
Liczba LED	2
Zasięg	25 m
Smart IR	tak (wsparcie sprzętowe)
OŚWIETLACZ ŚWIATŁA BIAŁEGO	
Liczba LED	2, barwa ciepła biała
Zasięg	15 m
Smart Light	tak (wsparcie sprzętowe)
INTERFEJSY	
Wejścia/wyjścia audio	wbudowany mikrofon/głośnik
Interfejs sieciowy	1 x Ethernet - złącze RJ-45, 10/100 Mbit/s
Gniazdo kart pamięci	microSD - pojemność do 256GB

## INFORMACJE WSTĘPNE

PARAMETRY INSTALACYJNE	
Wymiary (mm)	116 (Φ) x 98 (wys.)
Masa	0.6 kg
Klasa szczelności	IP 67 (szczegóły w instrukcji obsługi)
Obudowa	wandaloodporna aluminiowa, w kolorze białym
Zasilanie	12 VDC, PoE (IEEE 802.3af, Klasa 3)
Zabezpieczenia przeciwprzepięciowe	TVS 4000 V
Pobór mocy	3 W, 5 W (oświetlacz IR wł.), 5 W (oświetlacz światła białego wł.), 7 W (funkcje aktywnego odstraszania wł.)
Temperatura pracy	-35°C ~ 60°C
Wilgotność	maksymalnie 95%, względna (bez kondensacji)

### 1.1 Wymiary kamery



## URUCHAMIANIE I WSTĘPNA KONFIGURACJA

### Uwaga:

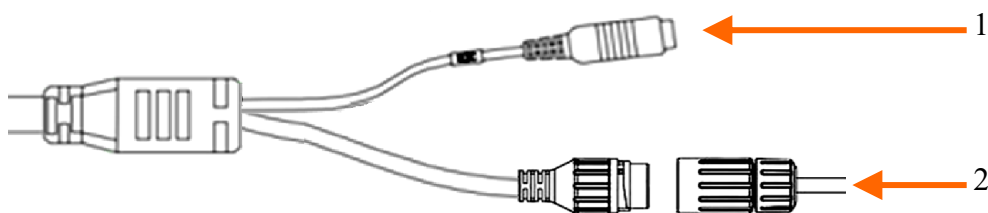
Jeżeli urządzenie przyniesione zostało z pomieszczenia o niższej temperaturze należy odczekać aż osiągnie temperaturę pomieszczenia, w którym ma pracować. Nie wolno włączać urządzenia bezpośrednio po przyniesieniu z chłodniejszego miejsca. Kondensacja pary wodnej może spowodować zwarcia i w konsekwencji uszkodzenie urządzenia.

## 2. URUCHAMIANIE I WSTĘPNA KONFIGURACJA

Przed uruchomieniem urządzenia należy zapoznać się z opisem i rolą poszczególnych wejść, wyjść oraz elementów regulacyjnych, w które wyposażone jest kamera.

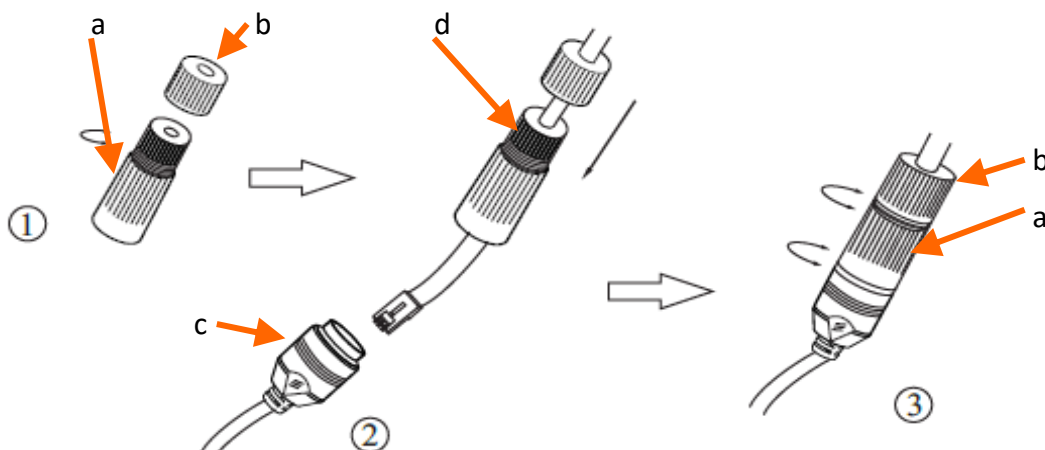
### 2.1. Opis złączy elektrycznych kamery

1. Gniazdo zasilania 12VDC
2. Port Ethernet 100 Mb/s (hermetyczne gniazdo RJ-45)



### 2.2. Podłączenie kabla sieciowego

1. Odkręcić nakrętkę (b) od osłony złącza (a), założyć pierścień uszczelniający na gniazdo (c)
2. Poprowadzić kabel sieciowy przez elementy (a) i (b). Włożyć wtyczkę RJ-45 do gniazda (c)
3. Nakręcić osłonę złącza (a) na gniazdo (c). W górną część osłony złącza (a) wcisnąć do oporu uszczelkę kabla (d) - uszczelka ma przecięcie umożliwiające założenie na przewód.
4. Dokręcić do oporu nakrętkę (b)



## URUCHAMIANIE I WSTĘPNA KONFIGURACJA

### 2.3. Podłączenie zasilania

Kamerę można zasilić z dostępnego na rynku zasilacza prądu stałego, pod warunkiem spełnienia przez niego wymogów technicznych kamery. Zasilacz musi dostarczać stabilizowanego napięcia stałego o wartości 12V, musi pozwalać na pobór co najmniej 10W mocy, oraz posiadać wtyk zasilający walcowy DC 2.5/5.5 o właściwej polaryzacji styków:



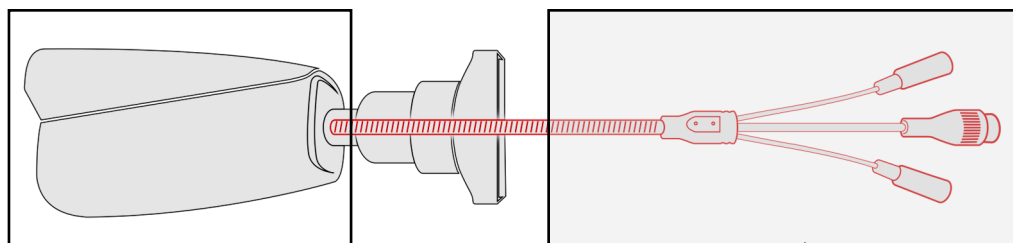
Możliwe jest także zasilanie kamery przez gniazdo sieciowe RJ45, przy wykorzystaniu technologii PoE (IEEE 802.3af, Klasa 3).

#### Uwaga!

**Zabronione jest stosowanie jako źródło zasilania kamery urządzeń (zasilacze, adaptory itp.) PoE niezgodnych ze standardem IEEE 802.3at, potocznie nazywanych „pasywne zasilacze PoE”. Uszkodzenia wynikłe ze stosowania nieodpowiednich źródeł zasilania nie podlegają gwarancji.**

### 2.4. Zabezpieczenie przed wnikaniem wody

Deklarowana klasa szczelności kamery dotyczy wyłącznie jej obudowy oraz miejsca, w którym kabel połączeniowy wchodzi do wnętrza obudowy.



Obszar zabezpieczony przed dostępem wody

Rysunek poglądowy

Obszar wymagający uszczelnienia podczas instalacji

Oznacza to, że kabel połączeniowy łącznie z gniazdami, złączami, przełącznikami, przyciskami i innymi elementami na tym kablu, a także inne elementy wyposażenia/konstrukcji kamery (jak daszki, uchwyty, wsporniki itp.) nie są wodoszczelne. Zabezpieczenie elementów które tego wymagają (a w każdym wypadku kabla połączeniowego) przed dostępem wilgoci jest obowiązkiem osoby instalującej kamerę.

Producent nie ponosi odpowiedzialności za wszelkie szkody, uszkodzenia kamery powstałe w skutek niedopełnienia w/w obowiązku co jednocześnie oznacza, iż nie podlegają one naprawom gwarancyjnym.

Znajdująca się w akcesoriach kamery (w zależności od wersji/modelu) osłona gniazda RJ-45 nie jest elementem zabezpieczającym przed wnikaniem wody. Zadaniem tego elementu jest ochrona przed wnikaniem do gniazda pyłów i wilgoci atmosferycznej oraz zapobieganie przypadkowym rozłączeniom przez mechaniczne stabilizowanie wtyku sieciowego w gnieździe RJ-45.

## URUCHAMIANIE I WSTĘPNA KONFIGURACJA

### 2.5. Funkcja „Two way power”

Kamera jest wyposażona w funkcję „Two way power”. Gdy kamera jest podłączona do switcha PoE, w gnieździe zasilania kamery jest dostępne napięcie 12V. Pozwala to na zasilanie z gniazda kamery odbiornika o niewielkim poborze mocy.



Maksymalny pobór mocy pobierany przez urządzenie korzystające z funkcji „Two way power” to 3W.

pl

### 2.6. Montaż kamery

- Poluzować wkręt blokujący, mocujący osłonę kamerę do podstawy. Obrócić osłonę tak, by wkręt znalazł się na wprost znacznika na podstawie, zdjąć osłonę i wyjąć kamerę z podstawy.
- Korzystając z szablonu lub wzorując się na położeniu otworów w podstawie kamery, zaznaczyć punkty pod przyszłe otwory mocujące i przepust kablowy.
- Wywiercić otwory montażowe oraz otwór pod kabel sygnałowy.
- Zamocować podstawę kamery.
- Podłączyć przewody kamery, umieścić ją na podstawie, założyć osłonę i przykręcić wstępnie wkręt blokujący. Dokonać regulacji położenia kamery.
- Dokręcić do oporu wkręt blokujący.

#### Uwaga!

Należy zwrócić szczególną uwagę, aby powierzchnia do której mocowana jest kamera miała odpowiednią nośność.

#### Uwaga!

Zalecany jest montaż kamery z wykorzystaniem jednego z dedykowanych adapterów. Użycie adaptera pozwala na estetyczne wykonanie montażu kamery, ułatwia późniejsze serwisowanie oraz zapewnia zabezpieczoną przed dostępem wody przestrzeń do ukrycia przewodów.



Adaptery są wyposażeniem dodatkowym, do zakupienia oddzielnie. Cechy i funkcje adaptera (jak sposób montażu, obecność przestrzeni na kable itp.) zależą od jego modelu. Lista dedykowanych adapterów i ich dane są dostępne na karcie katalogowej kamery w zakładce „Produkty powiązane”.

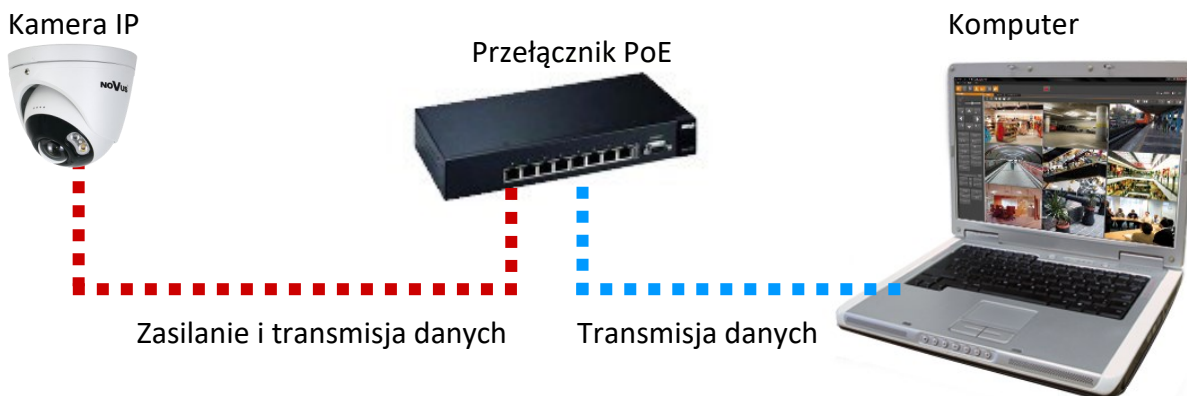
## URUCHAMIANIE I WSTĘPNA KONFIGURACJA

### 2.7. Uruchomienie kamery

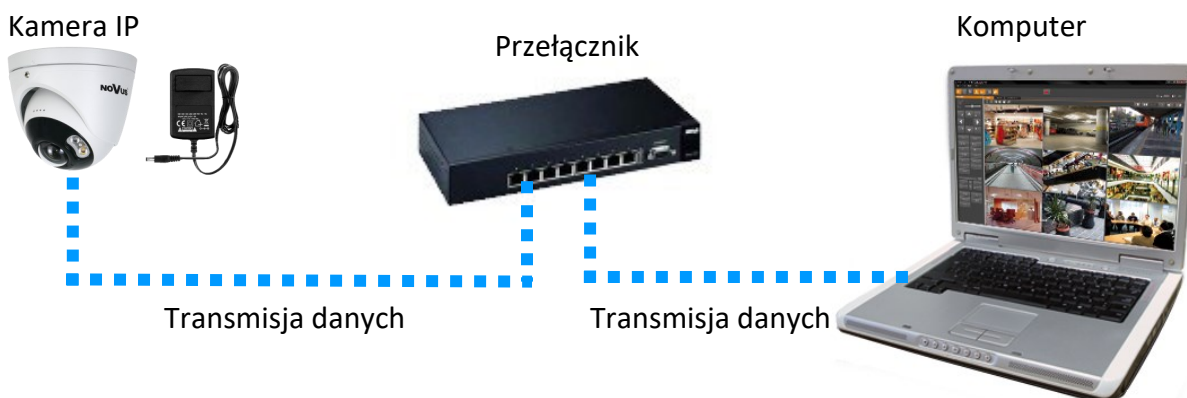
W celu uruchomienia kamery należy podłączyć kabel ethernetowy do gniazda sieciowego RJ45 kamery IP, a drugi koniec do przełącznika sieciowego. Jako źródło zasilania możliwe jest wykorzystanie zewnętrznego stabilizowanego zasilacza o parametrach spełniających wymagania kamery lub przełącznika sieciowego PoE.

Zalecaną metodą uruchomienia i konfiguracji kamery IP jest połączenie jej do komputera PC lub laptopa w wydzielonym przełączniku sieciowym, do którego nie ma podłączonych innych urządzeń. W przypadku zasilania z zewnętrznego zasilacza wystarczy zastosować dowolny przełącznik sieciowy, lub kabel podłączony bezpośrednio do komputera. W celu uzyskania danych potrzebnych do konfiguracji sieci (adres IP, brama, maska sieci itd.) należy skontaktować się z administratorem sieci, w której urządzenie ma pracować.

- Połączenie wykorzystujące przełącznik sieciowy PoE

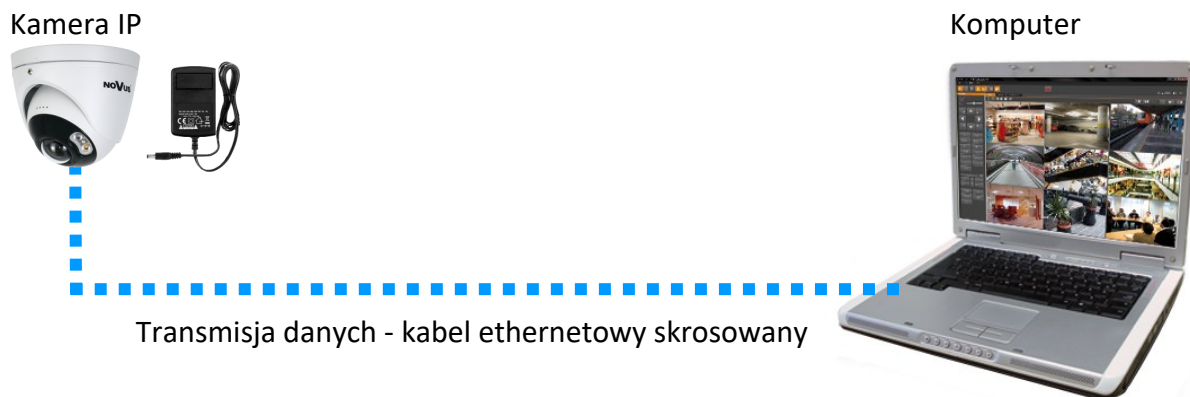


- Połączenie wykorzystujące zewnętrzne zasilanie kamery i przełącznik sieciowy



## URUCHAMIANIE I WSTĘPNA KONFIGURACJA

- Połączenie wykorzystujące zewnętrzne zasilanie kamery i kabel ethernetowy



### 2.8. Konfiguracja parametrów przy użyciu przeglądarki internetowej

Domyślne ustawienia sieciowe dla kamer IP to :

1. Adres IP = **192.168.1.200**
2. Maska sieci - **255.255.255.0**
3. Brama - **192.168.1.1**
4. Nazwa użytkownika - **root**
5. Hasło - **pass**

Znając adres IP kamery należy ustawić adres IP komputera w taki sposób aby oba urządzenia pracowały w jednej podsieci (dla adresu IP kamery 192.168.1.200 jako adres IP komputera PC możemy ustawić adres z zakresu 192.168.1.0 - 192.168.1.254, np.: 192.168.1.60). Niedopuszczalne jest ustawianie adresu komputera takiego samego jak adres kamery.

Wykorzystując połączenie przez przeglądarkę internetową Internet Explorer lub oprogramowanie NMS należy ustawić docelową konfigurację sieciową (adres IP, maskę sieci, bramę, serwery DNS) lub włączyć tryb pracy DHCP pozwalający na pobranie adresu IP z serwera DHCP (wymagany jest wówczas działający serwer DHCP). W przypadku korzystania z serwera DHCP należy upewnić się co do długości okresu dzierżawy adresu IP, jego powiązania z adresem MAC kamery IP w celu uniknięcia zmiany lub utraty adresu IP w czasie pracy urządzenia lub chwilowej awarii sieci / serwera DHCP. Należy pamiętać że po zmianie adresu IP kamera zostanie zresetowana i trzeba wpisać nowy adres w przeglądarce internetowej. Po konfiguracji ustawień sieciowych pozwalających na bezkonfliktową pracę urządzenia, kamerę IP możemy podłączyć do sieci docelowej.

## URUCHAMIANIE I WSTĘPNA KONFIGURACJA

---

---

### 2.9. Zalecenia dotyczące bezpieczeństwa sieci

#### UWAGA!

Poniżej zostały przedstawione podstawowe zalecenia dotyczące budowy oraz konfiguracji systemów telewizji dozorowej podłączonych do sieci Internet, pozwalające ograniczyć ryzyko nieautoryzowanej ingerencji w system przez osoby trzecie.

1. Bezwzględnie należy zmienić domyślne hasła dostępu oraz nazwy użytkowników (jeśli dane urządzenia dają taką możliwość) wszystkich zastosowanych urządzeń sieciowych (tzn. rejestratora, kamer, routerów, przełączników sieciowych itp.) na hasła o znacznym stopniu skomplikowania. W zależności od możliwości konfiguracji danego urządzenia zaleca się, aby hasło zawierało: małe litery, wielkie litery, cyfry oraz znaki specjalne.

2. W zależności od dostępnej funkcjonalności w celu ograniczenia dostępu do zastosowanych urządzeń sieciowych na poziomie konta administratora zaleca się odpowiednią konfigurację kont użytkowników.

3. Bezwzględnie zabronione jest wykorzystywanie funkcji DMZ (Demilitarized zone - strefa zdemilitaryzowana). Zastosowanie tej funkcji otwiera dostęp do systemu od strony sieci Internet na wszystkich możliwych portach, co w znacznym stopniu ułatwia ewentualną nieautoryzowaną ingerencję w system.

Zamiast wykorzystywania funkcji DMZ należy zastosować przekierowanie portów. Przekierowane powinny zostać jedynie porty niezbędne do realizacji połączenia (szczegółowych informacji na temat portów komunikacji w poszczególnych modelach rejestratorów, kamer itp. należy szukać w instrukcjach obsługi urządzeń).

4. Należy stosować routery wyposażone w funkcję zapory sieciowej (Firewall) oraz upewnić się że funkcja jest włączona oraz odpowiednio skonfigurowana.

5. Jeśli urządzenia sieciowe posiadają taką funkcjonalność zalecana jest zmiana domyślnych numerów portów wykorzystywanych do komunikacji sieciowej.

6. Jeśli urządzenia sieciowe posiadają funkcję UPnP i nie jest ona wykorzystywana, należy ją bezwzględnie wyłączyć.

7. Jeśli urządzenia sieciowe posiadają funkcję P2P i nie jest ona wykorzystywana, należy ją wyłączyć.

8. Jeśli urządzenia sieciowe obsługują protokół HTTPS do realizacji połączeń zaleca się jego stosowanie.

9. Jeśli urządzenia sieciowe obsługują funkcję filtracji adresów IP uprawnionych do nawiązywania połączenia zaleca się jej wykorzystywanie.

10. Jeśli zastosowany rejestrator sieciowy wyposażony jest w dwa interfejsy sieciowe zaleca się odseparowanie sieci do której podłączone są kamery od sieci posiadającej połączenie internetowe. Dzięki temu urządzeniem dostępnym z poziomu sieci Internet będzie rejestrator natomiast połączenie z kamerami nie będzie możliwe.



## POŁĄCZENIA SIECIOWE ZA POMOCĄ PRZEGLĄDARKI WWW

### 3. POŁĄCZENIA SIECIOWE ZA POMOCĄ PRZEGLĄDARKI WWW

#### 3.1. Zalecana konfiguracja komputera PC do połączeń przez przeglądarkę WWW

Poniższe wymagania dotyczą połączenia z kamerą IP przy założeniu płynnego wyświetlania obrazu wideo w maksymalnej rozdzielczości.

1. Procesor **Intel Core i7 3GHz** lub wyższy
2. Pamięć **RAM min. 8 GB**
3. Karta grafiki (dowolna **Nvidia GeForce 1GB RAM** lub odpowiednik)
4. System operacyjny **Windows 10 /11**
5. Karta sieciowa **100/1000 Mb/s**

#### 3.2. Pierwsze połączenie z kamerą za pomocą przeglądarki WWW

Na pasku adresu przeglądarki WWW należy wpisać adres IP kamery. Po połączeniu wyświetlą się: okno definiowania hasła administratora a następnie okno pytań bezpieczeństwa, pozwalających odzyskać dostęp do kamery w przypadku zapomnienia hasła administratora, bez konieczności resetowania.

##### Definiowanie hasła administratora

Przy pierwszym połączeniu z kamerą wyświetli się okno definiowania hasła administratora.



Przy pierwszym połączeniu z kamerą, okna etapu definiowania hasła mogą wyświetlać się w języku angielskim.

W pole „Nowe hasło” („New Password”) należy wpisać, a następnie powtórzyć dla potwierdzenia w polu „Potwierdzenie hasła” („Confirm Password”), hasło dla konta administratora. Siła hasła jest wskazywana na wskaźniku „Siła hasła” („Password Strength”), a wymogi dla jego tworzenia można zobaczyć w wyskakującym okienku, widocznym po najechaniu kursorem na pole wprowadzania danych.

The screenshot shows a dialog box titled "Hasło" (Password) with an orange header. It contains three input fields: "Nowe hasło" (New password), "Siła hasła" (Password strength), and "Potwierdzenie hasła" (Confirm password). An "OK" button is located at the bottom right.

## POŁĄCZENIA SIECIOWE ZA POMOCĄ PRZEGLĄDARKI WWW

Po pomyślnym zdefiniowaniu hasła administratora wyświetli się okno wyboru pytań odzyskiwania dostępu do kamery.

The screenshot shows a dialog box titled "Odzyskiwanie hasła" with a close button (X) in the top right corner. Below the title bar is a checkbox labeled "Ustawienie pytania bezpieczeństwa". There are three question-answer pairs. Each question is selected from a dropdown menu, and the answer is entered in a text field. The questions are: "Jakie jest imię twojego ojca?", "Jakie jest imię twojej matki?", and "Jakie jest imię twojego nauczyciela ze szkoły średniej?". At the bottom are "OK" and "Wstecz" buttons.

Aby aktywować pytania bezpieczeństwa, należy zaznaczyć opcję „Ustawienie pytań bezpieczeństwa”. Następnie z list pytań należy wybrać pytania, a w pola odpowiedzi należy wpisać własne odpowiedzi.



Wymagane jest udzielenie odpowiedzi na wszystkie pytania. Wybrane pytania i odpowiedzi należy przechowywać w miejscu zabezpieczonym przed dostępem osób niepowołanych. Po zapisaniu odpowiedzi nie można ich zmienić, a podanie nowych jest możliwe po przywróceniu ustawień fabrycznych.

Ponieważ kamera nie analizuje sensu odpowiedzi a jedynie je zapamiętuje, może nią być dowolny ciąg znaków. Na każde z pytań można udzielić takiej samej odpowiedzi.

Po wprowadzeniu niezbędnych zmian zapisujemy je naciskając przycisk „OK”. Kamera potwierdzi prawidłowość przeprowadzonych operacji wyświetleniem okna potwierdzenia. Po naciśnięciu przycisku „OK” w oknie potwierdzenia wyświetli się okno logowania do panelu www kamery.



Aktywowanie pytań bezpieczeństwa nie jest obowiązkowe. Ten krok można pominąć, naciskając przycisk „OK” bez zaznaczania opcji „Ustawienie pytań bezpieczeństwa”, lub naciskając przycisk „Wstecz”. Jednak w tym wypadku opcja odzyskiwania hasła będzie niedostępna i jedynym sposobem przywrócenia dostępu do kamery w przypadku utracenia hasła będzie reset przyciskiem.

## POŁĄCZENIA SIECIOWE ZA POMOCĄ PRZEGLĄDARKI WWW

### Odzyskiwanie hasła administratora

Aby odzyskać dostęp do kamery w przypadku zapomnienia hasła, należy kliknąć na link „Odzyskiwanie hasła” w prawym dolnym rogu okna logowania. Wyświetli się okno odzyskiwania hasła, w którym w odpowiednie pola należy wpisać podane podczas konfiguracji odpowiedzi, a następnie należy ustawić nowe hasło.



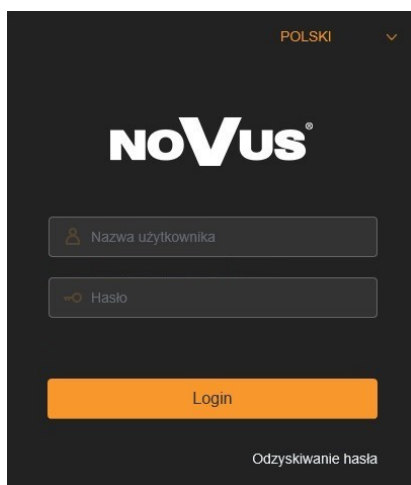
Link „Odzyskiwanie hasła” wyświetla się tylko wtedy, gdy podczas definiowania hasła administratora zostały aktywowane pytania bezpieczeństwa. Jeśli aktywowanie pytań bezpieczeństwa zostało pominięte, link nie wyświetla się i jedynym sposobem przywrócenia dostępu do kamery jest reset przyciskiem.

### Logowanie się do kamery

Aby zalogować się do kamery, w oknie logowania należy wpisać nazwę konta administratora (domyślnie **root**) i ustawić hasło.



W górnej części okna logowania znajduje się lista wyboru języka, w którym będzie wyświetlane menu kamery.



Podczas pierwszego logowania z przeglądarki Internet Explorer, kamera może wyświetlić komunikat o konieczności zainstalowania wtyczki „SurveillancePluginV2.exe”, niezbędnej do wyświetlania wideo (komunikat ten pojawi się, jeśli w systemie nie było wcześniej zainstalowanej wtyczki, lub jeśli taka wtyczka jest, ale w nieodpowiedniej wersji).

W takim wypadku należy kliknąć na link „Kliknij by zainstalować, lub by przejść do karty produktu na stronie Novus i pobrać wtyczkę” i postępować zgodnie z poleceniami instalatora. Po zakończeniu instalacji należy odświeżyć okno przeglądarki. Po tych czynnościach w oknie podglądu na żywo powinien wyświetlić się obraz z kamery.

Przy zalogowaniu się z użyciem przeglądarki korzystającej z HTML5 (jak Firefox, Chrome, Opera, Safari) nie ma potrzeby instalowania jakichkolwiek wtyczek i po wpisaniu nazwy użytkownika i hasła w oknie podglądu na żywo wyświetli się obraz.

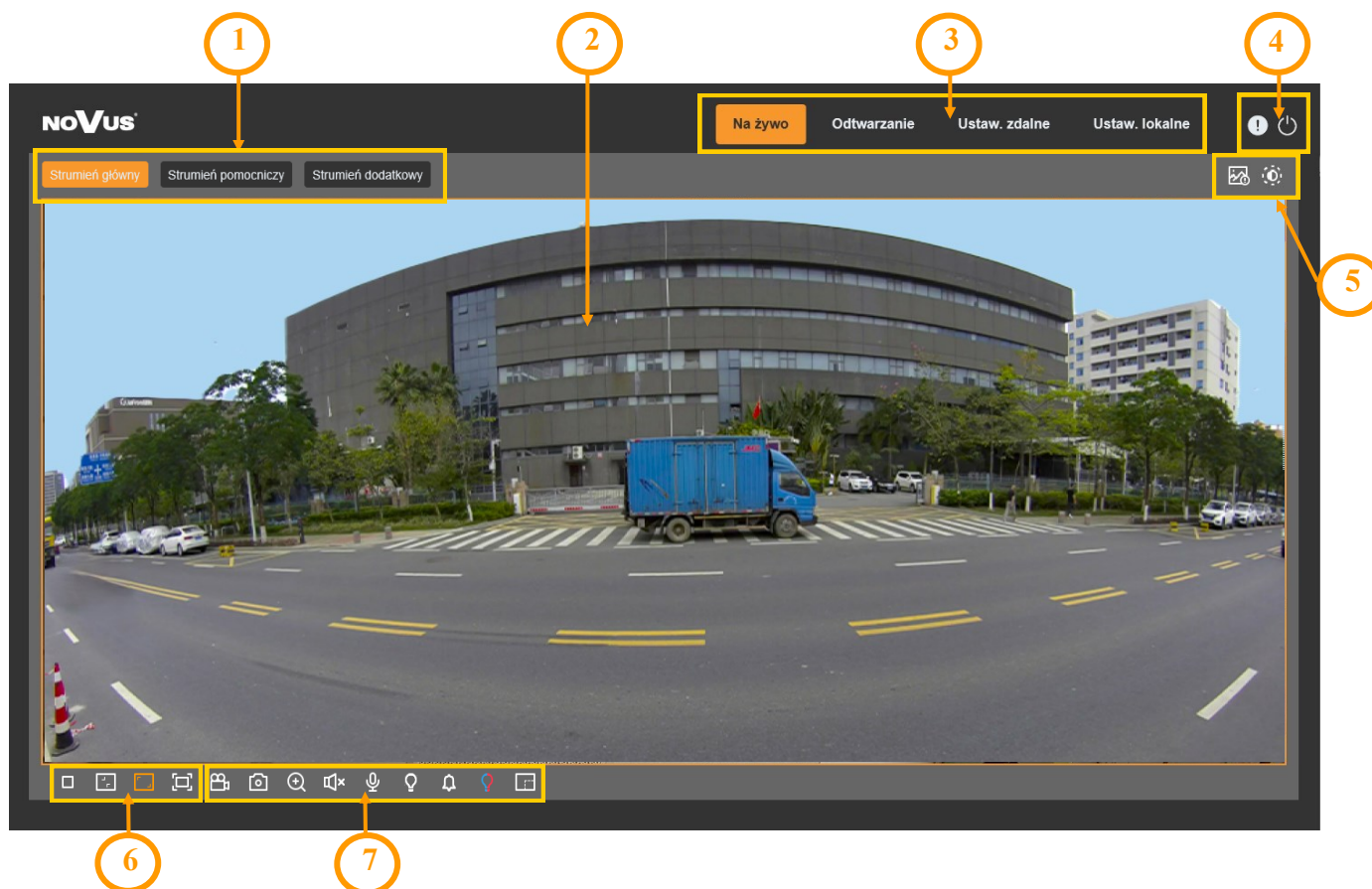
## INTERFEJS WWW - PRACA Z KAMERĄ

### 4. INTERFEJS WWW - PRACA Z KAMERĄ

#### 4.1. Widok okna zdalnego podglądu



Poniższy widok przedstawia okno zdalnego podglądu wyświetlone w przeglądarce Edge przełączonej w tryb Internet Explorera, z zainstalowaną wtyczką „SurveillancePluginV2.exe”. Podczas łączenia się z kamerą z przeglądarek korzystających z HTML5, niektóre elementy menu i/lub niektóre opcje mogą być niedostępne. Nie jest to usterka, ale wynika ze specyfiki standardu HTML5.



1. Przyciski wyboru strumienia do wyświetlania w oknie zdalnego podglądu.

2. Okno podglądu na żywo.

Dwukrotne kliknięcie lewym przyciskiem myszy na oknie podglądu włącza i wyłącza wyświetlanie obrazu na całym ekranie.

3. Przyciski wyboru trybu pracy i konfiguracji kamery:

- |                    |  |
|--------------------|--|
| Na żywo            | - włącza podgląd strumienia na żywo                                |
| Odtwarzanie        | - włącza panel odtwarzania nagrań z karty pamięci                  |
| Ustawienia zdalne  | - wyświetla panel konfiguracyjny kamery                            |
| Ustawienia lokalne | - wyświetla panel konfiguracji ścieżek dostępu do folderów zrzutów |

## INTERFEJS WWW - PRACA Z KAMERĄ

---

---

### 4. Ikony dostępu do kamery:



- wyświetla informacje o zalogowanym użytkowniku i wersji apletu



- wylogowanie z kamery

### 5. Wyświetla dodatkowe panele informacyjne i regulacyjne



- włącza i wyłącza panel wyświetlania alarmów zdarzeń analityki obrazu



- włącza panel regulacji obrazu.

### 6. Przyciski sterowania obrazem



- włącza i wyłącza podgląd na żywo



- ustawia oryginalne proporcje obrazu



- dopasowuje obraz do okna przeglądarki



- włącza pełny ekran

### 7. Ikony sterujące dodatkowymi funkcjami:



- włącza i wyłącza nagrywanie strumienia wideo na dysku komputera



- wykonuje zrzut ekranu i zapisuje na dysku komputera



- włącza i wyłącza powiększanie fragmentu obrazu



- włącza i wyłącza odsłuch audio



- włącza i wyłącza białe diody LED (widoczna w trybie *Przełączanie dzień/noc*)



- włącza i wyłącza interkom



- włącza i wyłącza syrenę



- włącza i wyłącza światła ostrzegawcze



- włącza i wyłącza licznik pikseli (wyświetla rozmiar zaznaczonego obszaru)

## PRZYWRACANIE USTAWIENÍ FABRYCZNYCH, INSTALACJA KARTY SD

---

---

### 5. PRZYWRACANIE USTAWIENÍ FABRYCZNYCH

Kamera posiada w menu opcję resetowania swoich ustawień do wartości fabrycznych. Aby przywrócić ustawienia kamery do ustawień domyślnych należy przejść do zakładki „*Ustawienia domyślne*” (Ustawienia zdalne -> Zarządzanie -> Ustawienia domyślne). Następnie należy wybrać opcje kamery, których ustawienia mają zostać zresetowane i nacisnąć przycisk „*Zapisz*”. Po potwierdzeniu hasłem administratora ustawienia kamery zostaną zresetowane.

Przywrócenie ustawień fabrycznych kamery jest także możliwe przez naciśnięcie i przytrzymanie przez około 5 sekund przycisku reset znajdującego się pod klapką w obudowie kamery.

### 6. INSTALACJA KARTY PAMIĘCI

Gniazdo karty pamięci microSD znajduje się pod klapką w obudowie kamery.

Aby zainstalować kartę pamięci, należy odłączyć zasilanie kamery, odkręcić śruby mocujące klapkę i wsunąć kartę do jej gniazda. Po zamknięciu klapki i uruchomieniu kamery należy przejść do menu „Zdalne Ustawienia -> Dyski” i sformatować kartę pamięci.



**noVus<sup>®</sup>**

**AAT SYSTEMY BEZPIECZEŃSTWA Sp. z o.o.**  
ul. Puławska 431, 02-801 Warszawa, Polska  
tel.: 22 546 0 546, kontakt@aat.pl  
[www.novuscctv.com/pl](http://www.novuscctv.com/pl)